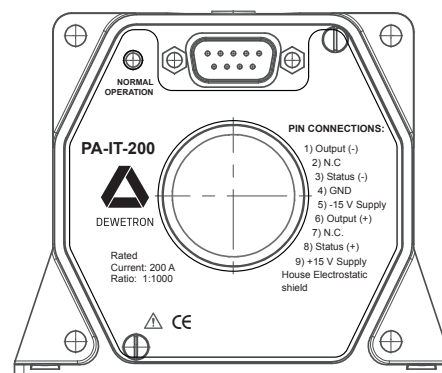




DEWETRON

PA-IT-200 CURRENT TRANSDUCER

FOR ULTRA-HIGH PRECISION MEASUREMENT OF CURRENT: DC, AC, PULSED..., WITH GALVANIC SEPARATION BETWEEN PRIMARY AND SECONDARY



$I_{PM} = 200 A$

FEATURES

- > Closed loop (compensated) current transducer using an extremely accurate zero flux detector
- > Electrostatic shield between primary and secondary circuit
- > 9-pin D-Sub male secondary connector
- > Optically insulated output (photocoupler type) indicates transducer state
- > LED indicator confirms normal operation.

ADVANTAGES

- > Very high accuracy
- > Excellent linearity
- > Extremely low temperature drift
- > Wide frequency bandwidth
- > High immunity to external fields
- > No insertion losses
- > Low noise on output signal
- > Low noise feedback to primary conductor.

APPLICATION DOMAINS

- > Industrial
- > Laboratory
- > Medical

APPLICATIONS

- > Feedback element in high performance gradient amplifiers for MRI
- > Feedback element in high-precision, high-stability power supplies
- > Calibration unit
- > Energy measurement
- > Medical equipment.

STANDARDS

- > EN 61000-6-2: 2005
- > EN 61000-6-3: 2007
- > EN 61010-1: 2010
- > EN 61000-3-2: 2006
- > EN 61000-3-3: 1995 + A1: 2001 + A2: 2005.



INSULATION COORDINATION

PARAMETER	SYMBOL	UNIT	VALUE	COMMENT
Rated insulation rms voltage, basic insulation	U_b	V	2000	IEC 61010-1 conditions - over voltage cat III - pollution degree 2
Rated insulation rms voltage, reinforced insulation	U_b	V	600	IEC 61010-1 conditions - over voltage cat III - pollution degree 2
Rated insulation rms voltage, basic insulation	U_b	V	1000	EN 50178 conditions - over voltage cat III - pollution degree 2
Rated insulation rms voltage, reinforced insulation	U_b	V	600	EN 50178 conditions - over voltage cat III - pollution degree 2
Rms voltage for AC insulation test, 50/60 Hz, 1 min	U_d	kV	5.4	Between primary and secondary + shield
		VDC	200	Between secondary and shield
		VDC	300	Between secondary and status output
Impulse withstand voltage 1.2/50 μ s	\hat{U}_w	kV	9.9	
Clearance (pri. - sec.)	d_{cl}	mm	11	Shortest distance through air
Creepage distance (pri. - sec.)	d_{cp}	mm	11	Shortest path along device body
Comparative tracking index	CTI	V	600	

If insulated cable is used for the primary circuit, the voltage category could be improved with the following table (for single insulation) (IEC 61010-1 standard):

Cable insulated (primary)	Category
HAR03	2150 V CAT III
HAR05	2250 V CAT III
HAR07	2350 V CAT III

ENVIRONMENTAL AND MECHANICAL CHARACTERISTICS

PARAMETER	SYMBOL	UNIT	MIN	TYP	MAX	COMMENT
Ambient operating temperature	T_A	°C	10		50	
Ambient storage temperature	T_S	°C	-20		85	
Relative humidity	RH	%	20		80	Non-condensing
Dimensions						See drawing page 7
Mass	m	kg		0.3		

**ELECTRICAL DATA**At $T_A = 25\text{ °C}$, $\pm U_C = \pm 15\text{ V}$, unless otherwise noted.

PARAMETER	SYMBOL	UNIT	MIN	TYP	MAX	COMMENT
Primary continuous direct current	I_{PNDC}	A	-200		200	
Primary nominal rms current	I_{PN}	A			141	
Primary current, measuring range	I_{PM}	A	-200		200	
Measuring resistance over operating current temperature and supply voltage range	R_M	Ω	0		30	See graph page 5
Secondary current	I_S	mA	-200		200	
Conversion ratio	K_N			1:1000		
Resistance of secondary winding	R_S	Ω		20		
Overload capability ¹⁾	\hat{I}_P	A	-1000		1000	@ pulse of 100 ms
Supply voltage	U_C	V	± 14.25	± 15	± 15.75	
Current consumption	I_C	mA			80	Add I_S for total current consumption
Output rms noise 0 .. 10 Hz ²⁾	V_{NO}	ppm			0.1	
Output rms noise 0 .. 100 Hz ²⁾					1	
Output rms noise 0 .. 1 kHz ²⁾					2	
Output rms noise 0 .. 10 kHz ²⁾					8	
Output rms noise 0 .. 50 kHz ²⁾					15	
Re-injected rms noise on primary bus bar		μV			5	0 .. 50 kHz
Electrical offset current + self magnetization + effect of earth magnetic field ²⁾	I_{OE}	ppm			80	
Temperature coefficient of I_{OE} ²⁾	TCl_{OE}	ppm/K			2	10 °C .. 50 °C
Offset stability ²⁾		ppm/month			1	
Linearity error ²⁾	ϵ_L	ppm			3	
Step response time to 90 % of I_{PNDC}	t_T	μs			1	di/dt of 25 A/ μs
di/dt accurately followed	di/dt	A/ μs	100			
Frequency bandwidth ($\pm 1\text{ dB}$)	BW	kHz	0	150		Small-signal bandwidth, 0.5% of I_{PM}
Frequency bandwidth ($\pm 3\text{ dB}$)	BW	kHz	0	500		Small-signal bandwidth, 0.5% of I_{PM}

Notes: ¹⁾ Single pulse only, not AC. The transducer may require a few seconds to return to normal operation when autoreset system is running

²⁾ All ppm figures refer to full-scale which corresponds to a secondary current (I_S) of 200 mA.



OVERLOAD PROTECTION - ELECTRICAL SPECIFICATION - STATUS

The overload occurs when the primary current I_p exceeds a trip level such that the fluxgate detector becomes completely saturated and, consequently, the transducer will switch from normal operation to overload mode.

This trip level is guaranteed to be greater than 110 % of I_{PNDC} and its actual value depends on operating conditions such as temperature and measuring resistance.

When this happens, the transducer will automatically begin to sweep in order to lock on the primary current again.

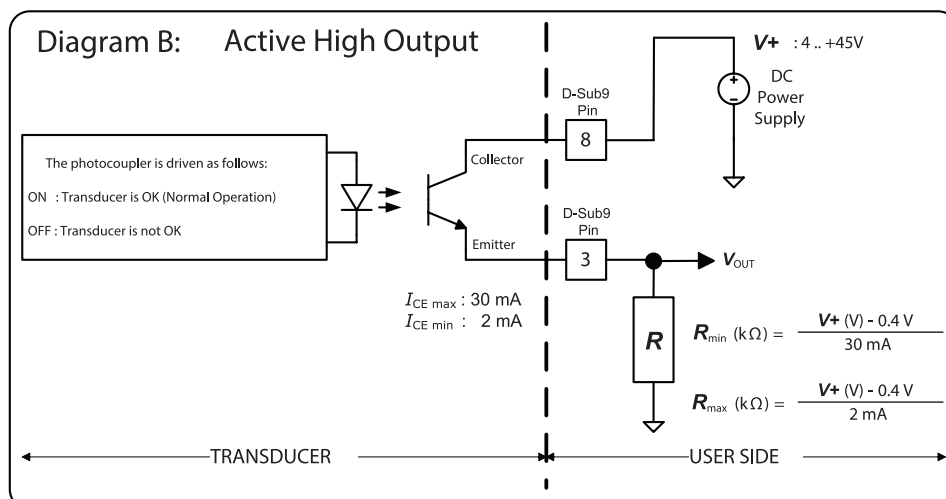
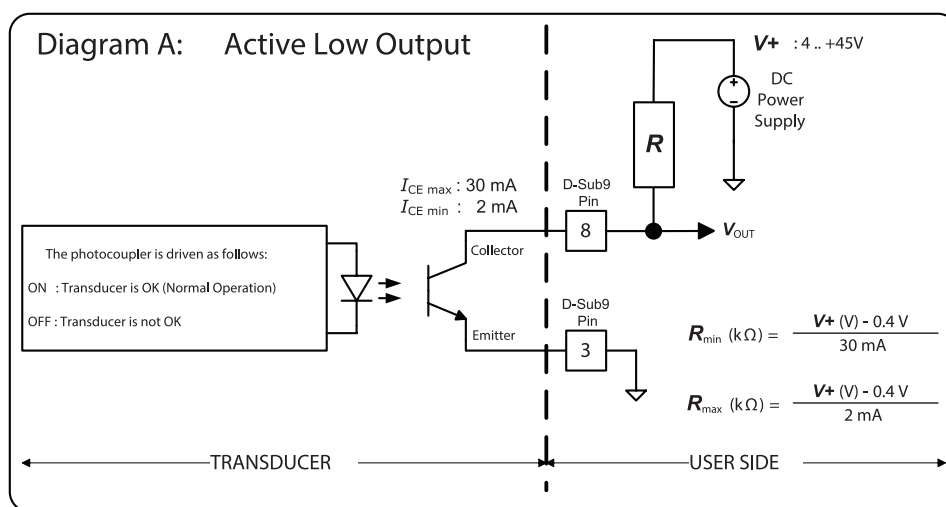
Under these conditions:

- > The secondary current generated is a low frequency triangle waveform between -200 mA and 200 mA.
- > The signal V_{out} (operation status between pin 3 and 8 of the D-sub connector) switches to $V+$ or GND depending on how it is wired. In other words, the output transistor is switched off (i.e., no current from collector to emitter). See the status port wiring below.
- > The green LED indicator (normal operation status) turns off.

The measuring can resume when the primary current returns in the nominal range between $-I_{PNDC}$ and $+I_{PNDC}$. Then the signal V_{out} switches to $V+$ or GND and the green LED indicator (normal operation status) is again lit.

TO ENSURE A SAFE RECOVERY FROM SATURATION, THE MAXIMUM BURDEN RESISTOR ALLOWED IS 30 Ω .

STATUS/INTERLOCK PORT WIRING





The following table shows how the output signal V_{out} acts depending on how it is wired:

CASE	V_{out}	DESCRIPTION
Diagram A	<0.2 V	The transducer is OK (Normal operation)
	V+	The transducer is not OK (Overload mode or supply fault)
Diagram B	<0.2 V	The transducer is not OK (Overload mode or supply fault)
	V+	The transducer is OK (Normal operation)

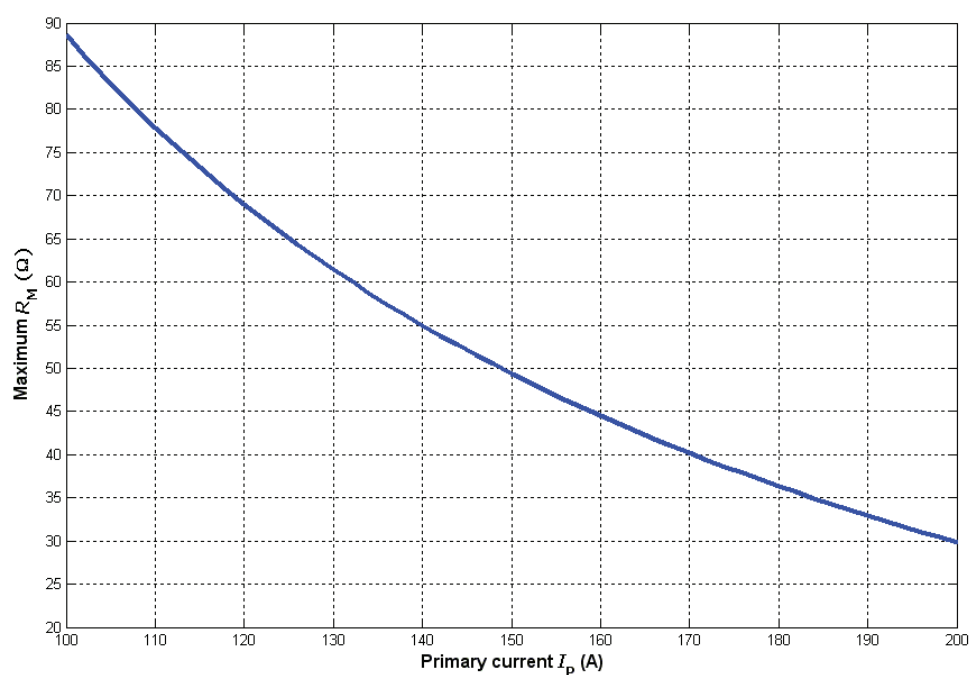
Some recommended standard values of R:

POWER SUPPLY VOLTAGE V+	R_{min} (k Ω)	R_{max} (k Ω)	R standard values $\pm 5\%$
5 V	0.153	2.3	180 Ω , 1 k Ω or 2.2 k Ω
12 V	0.386	5.8	470 Ω , 2.2 k Ω or 4.7 k Ω
24 V	0.786	11.8	1 k Ω , 2.2 k Ω or 10 k Ω

ELECTRICAL DATA - STATUS PORT

PARAMETER	SYMBOL	UNIT	MIN	TYP	MAX	COMMENT
Collector-Emitter voltage, off-state	V_{CEoff}	V	4		45	
Collector-Emitter current, on-state	I_{CE}	mA	2		30	
Reverse Collector-Emitter voltage, off-state	V_{CERoff}	V			5	
Collector-Emitter voltage, on-state	V_{CEon}	V			0.2	

MAXIMUM MEASURING RESISTOR VERSUS PRIMARY CURRENT





DEWETRON



SAFETY

This transducer must be used in limited-energy secondary circuits according to IEC 61010-1.



This transducer must be used in electric/electronic equipment with respect to applicable standards and safety requirements in accordance with the manufacturer's operating instructions.



Caution, risk of electrical shock

When operating the transducer, certain parts of the module can carry hazardous voltage (eg. primary busbar, power supply).

Ignoring this warning can lead to injury and/or cause serious damage.

This transducer is a build-in device, whose conducting parts must be inaccessible after installation.

A protective housing or additional shield could be used.

Main supply must be able to be disconnected.

