

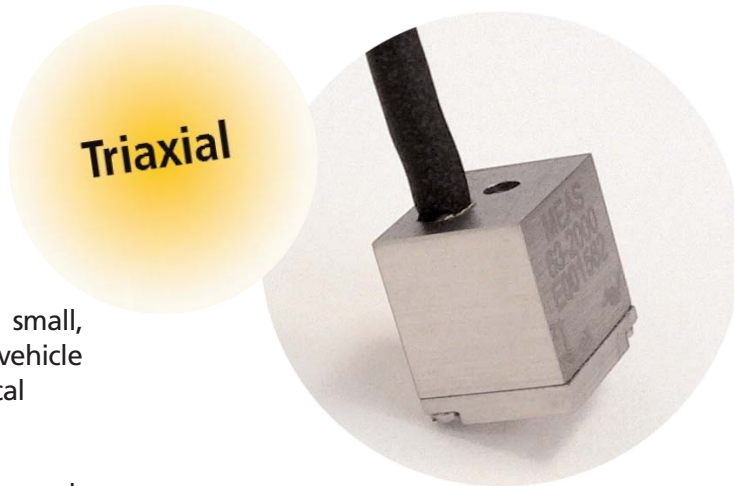
Model 63 Accelerometer

DC Response

Durable Cable

Reliable Performance

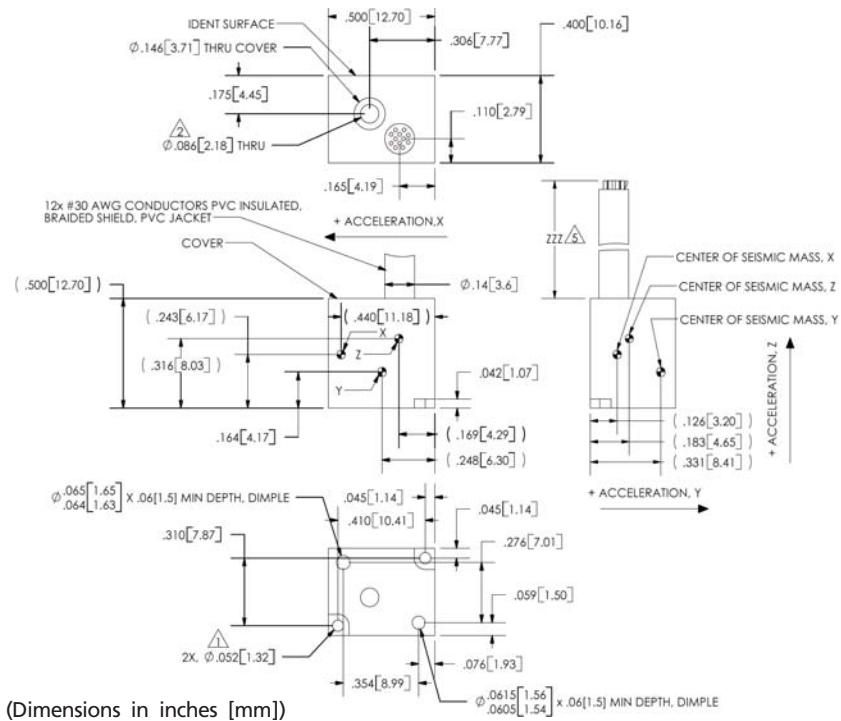
Low Cost



DESCRIPTION

The **Model 63** accelerometer is a small, compact triaxial device designed for vehicle impact and road testing. Its mechanical overload stops provide high shock protection in rugged applications. Featuring ranges from 500 g to 2000 g and frequency response to 3000 Hz, this sensor is easily mounted in hard to reach places.

dimensions

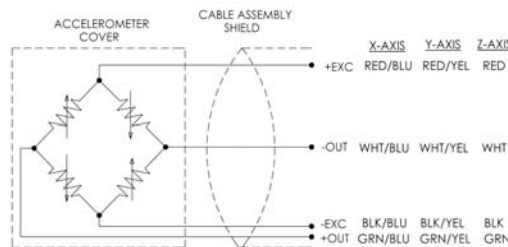


FEATURES

- ◆ 2nd Generation MEMS Sensing Elements
- ◆ 2000 g Full Scale Range
- ◆ 2-10 VDC Excitation
- ◆ -20 to +85°C Operating Temperature
- ◆ ± 50 mV Zero Measurand Output
- ◆ Mechanical Overload Stops
- ◆ Replaceable Sensors

APPLICATIONS

- ◆ Crash Testing
- ◆ Impact Testing
- ◆ Off-Road Testing
- ◆ Road Testing



TABULATION Δ	
ZZZ	TOLERANCE
≤ 12 [305]	+ 1 [25] - 0 [0]
> 12 [305] & ≤ 60 [1524]	+ 2 [51] - 0 [0]
> 60 [1524] & ≤ 120 [3048]	+ 4 [102] - 0 [0]
> 120 [3048] & ≤ 360 [9144]	+ 6 [152] - 0 [0]
> 360 [9144]	+ 12 [305] - 0 [0]

www.meas-spec.com
 Tel: 949-716-5377
 Fax: 949-916-5677
 Email: vibration@meas-spec.com



Model 63 Accelerometer

performance specifications

All values are typical at 24 °C, 100 Hz and 10 Vdc excitation unless otherwise stated. Measurement Specialties reserves the right to update and change these specifications without notice.

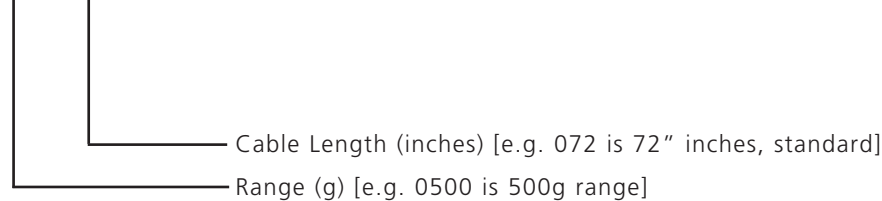
PARAMETERS

DYNAMIC				Units	Notes
Range	500	1000	2000		
Sensitivity	0.9	0.15	0.15	mV/g	
Frequency Response (Z - Axis)	0-3000	0-3000	0-3000	Hz	±5%
Frequency Response (X & Y - Axis)	0-1500	0-1500	0-1500	Hz	±5%
Resonance	17,000	22,000	26,000	Hz	Gas Damped
Non-Linearity	±1			% FSO	
Transverse Sensitivity	<3			%	
Zero Acceleration Output	<±50			mV	
Thermal Zero Shift, 0 - 50°C(32 - 122°F)	±0.05 (±0.03)			%FSO/°C (%FSO/°F)	
Thermal Sensitivity Shift, 0 - 50°C(32 - 122°F)	±0.1 (±0.06)			%/°C(%/°F)	
ELECTRICAL					
Voltage Excitation	2 to 10			Vdc	
Input Impedance	3500 to 4800			Ω	
Output Impedance (Varies with current)	2700 to 4800			Ω	
Insulation Resistance	>100			MΩ	
Ground Isolation	Isolated				
Cable Output	12 x 30 AWG Conductors				72" Standard Length
PHYSICAL					
Case Material	Stainless Steel				
Weight	7			grams	Without Cable
Mounting	Screw				M2 X 0.4, 16 mm length
Mounting Torque	3(0.3)				Lb-in(Nm)
ENVIRONMENTAL					
Shock Limit	5000	7000	10000	g's	
Operating Temperature	-20 to +85 / -4 to +185				°C/°F
Humidity					Epoxy sealed

PART NUMBERING Model Number+Range+Cable Length

ordering information

63 - ZZZZ - ZZZ



Custom connector options are available. Contact Measurement Specialties, Inc. for applicable model number.

www.meas-spec.com
 Tel: 949-716-5377
 Fax: 949-916-5677
 Email: vibration@meas-spec.com

