

NS – 30 / DMG2 – I

Biaxial Inclinometer

Measurement Range $\pm 30^\circ$

Output current 4... 20 mA
digital RS 232



Product information:

Our newest generation of conductive, inclinometers offer modern SMD technology in an environmentally protected and robust, aluminium housing.

The inclinometer achieves high accuracy over a wide temperature range because of its newly developed microcontroller with linearization and temperature compensation routines.

This fully calibrated, inclinometer is available with analog, digital or switching output signals. It is easy to install via connector and is immediately ready for use.

The inclinometer is programmable via a software tool, which includes single measurement monitoring as well as setting of the baud rate, the transfer rate and the zero point.

The inclinometer meets all of the requirements of EMC-standard as well as the shock and vibration standards.

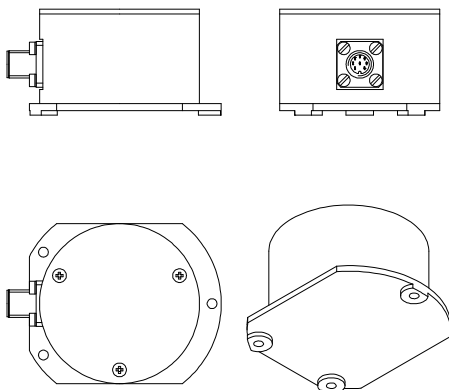
Fields of application:

- Leveling of all kinds
- Mobile weighing technology
- Lifting platforms
- Adjustment of machines
- Stationary and mobile crane technology

Key features:

- Robust technology
- High reliability
- Easy to use
- Excellent cost-performance ratio
- Power protection
- CE – approved
- EMC-Standard EN 61000-6-2,4
- Shock and vibration Standard EN 60068-2-6,27

View :



Technical Data:

| | |
|--|-------------------------------|
| • Measurement axis (x-y) | 2 |
| • Measurement range | $\pm 30^\circ$ |
| • Resolution | 0.001° |
| • Precision digital ⁽¹⁾ | 0.2° |
| • Precision analog ⁽¹⁾ | 0.3° |
| • Output digital | RS 232 |
| • Output current ($+30^\circ \dots -30^\circ$) | 4...20 mA |
| • Baud rate | 9.6...115 kBaud |
| • Transfer rate | 1...25 Hz |
| • Offset drift | 0.05° |
| • Cross sensitivity | 1.4 %/[FS] |
| • Power supply | 10...30 VDC |
| • Operating temperature range | $-40 \dots +85^\circ\text{C}$ |
| • Storage temperature range | $-40 \dots +85^\circ\text{C}$ |
| • Protection class | IP 67 |
| • Housing | Aluminium |
| • Weight | 290 g |
| • Dimensions | 84 x 70 x 47mm |

⁽¹⁾ Room temperature

Ordering information:

NS – 30/ DMG2 – I order no.: 2.003.092.166.000

2 m connecting cable with plug order no.: 2.000.000.000.001

2m connecting cable with right angle plug order no.: 2.000.000.000.002