

Technical Specifications

Pressure measuring range (mH2O)

	1 ... 5, (1)	> 5 ... 20	> 20 ... 250
Overpressure	3 bar	3 x FS (min. 3 bar)	3 x FS
Burst pressure	> 200 bar	> 200 bar	> 200 bar
Accuracy, (2), (\pm % FS)	$\leq 0.5 / \leq 0.25$	$\leq 0.5 / \leq 0.25 / \leq 0.1$	$\leq 0.5 / \leq 0.25 / \leq 0.1$
Thermal shift, (\pm % FS/$^{\circ}$C)			
Zero point -5...50 $^{\circ}$ C	≤ 0.06	≤ 0.03	≤ 0.03
Span -5...50 $^{\circ}$ C	≤ 0.015	≤ 0.015	≤ 0.015
Response time, (typ.)	< 1ms / 10...90% FS	< 1ms / 10...90% FS	< 1ms / 10...90% FS
Long term stability, (3)	< 0.5% FS / < 4 mbar	< 0.2% FS / < 4 mbar	< 0.1% FS / < 0.2% FS

(1) 0.5 mH2O on request

(2) Zero based accuracy according to DIN16086, incl. hysteresis and repeatability at ambient temperature

(3) 1 year (typ. / max.), the long term stability can be improved by ageing (burn-in) the sensor

Temperature measuring range

Standard, (1)	-25...85 $^{\circ}$ C
Lower end of range	-25 $^{\circ}$ C
Upper end of range	85 $^{\circ}$ C
Temperature span	> 30 $^{\circ}$ C
Accuracy, (2)	
0...70 $^{\circ}$ C, (typ. / max.)	$\pm 0.5 / 1.0$ $^{\circ}$ C
-25...85 $^{\circ}$ C, (typ. / max.)	$\pm 1.0 / 1.5$ $^{\circ}$ C

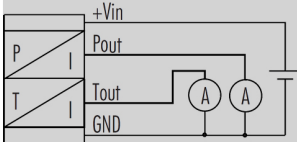
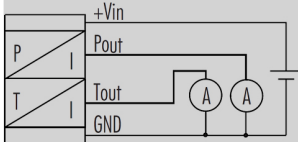
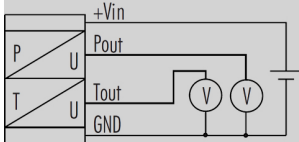
(1) Other temperature measuring ranges on request

(2) Probe, electronics, calibration

Temperature range

Operating temperature	-5...80 $^{\circ}$ C
Process temperature	-5...80 $^{\circ}$ C
Storage temperature	-10...80 $^{\circ}$ C

Electrical specifications

	4 ... 20 mA	0 ... 20 mA	0 ... 5 V / 0 ... 10 V
Power supply	15...30 V DC	15...30 V DC	15...30 V DC
Supply influence	< 0.1% FS	< 0.1% FS	< 0.1% FS
Current consumption			3 mA
Circuit diagram			
Load resistance	$(U_b - 5V) / 0.02A$	$(U_b - 5V) / 0.02A$	$R_L > 10k\Omega$
Load influence	< 0.1% FS	< 0.1% FS	< 0.1% FS

Qualifications

	Description	Level	Typical interferences
EN 61000-4-2	Electrostatic discharge	4 kV contact 8 kV air	
EN 61000-4-3	Irradiated RF	10V/m (0.08...1 GHz, 3s)	Radio sets, wireless phones
EN 61000-4-4	Transients (burst)	2 kV	Motors, valves
EN 61000-4-6	Conducted RF	10 V (0.15...80 MHz, 3 s)	Frequency converters

Physical specifications

Materials	
Transducer	Stainless steel (316L / 1.4435), titanium (Gr. 2), (1)
Housing	Stainless steel (316L / 1.4404), titanium (Gr. 2)
Seals	Viton (Standard), EPDM, Kalrez
Cable	PUR, PTFE, PE

(1) Hastelloy (C-276) on request

Equipment

Overview

10.00.0091	Accessories overview

Additional documents

Operating and safety instructions

	Article number
10.88.0092	DMM029

Ordering information

		X. XXXX.	XXXX.	XX.	XXX
Type	ATM/N/T	31			
Pressure type	Gauge	1			
	Absolute (vacuum)	2			
Pressure measuring range	Any pressure measuring ranges between 0...1 mH2O and 0...250 mH2O available, (1), (2)	XX			
Process connection	Closed, (Fig. 1)	55			
	Open, (Fig. 2)	56			
	G 1/4 M, (Fig. 3)	11			
	G 1/2 M, (Fig. 3)	13			
	Customized connections available	XX			
Electrical connection	Connectable version, IP 68, (Fig. 4), (3)		07		
	PE cable, IP 68, (4), (5)		13		
	PUR cable, IP 68, (4), (6)		15		
	PTFE cable, IP 68, (4)		21		
	Customized connection available		XX		
Output signal	4...20 mA		05		
	0...20 mA		00		
	0...5 V DC		46		
	0...10 V DC		47		
Accuracy	≤ ± 0.5 % FS			0	
	≤ ± 0.25 % FS			1	
	≤ ± 0.1 % FS (on request)			2	
Temperature range	-5...50 °C compensated (allowed process temperature: -5...50 °C)			5	
Option 1	Special oil filling: ASEOL Food (for food applications)				
	Special oil filling: Halocarbon (for oxygen applications)				
Option 2	Electronics packed in gel: Gauge pressure				C
	Electronics packed in gel: Absolute pressure				D
Option 3	Ballast weight				B
	Version titanium				K
	Seals: Viton (standard)				U
	Seals: EPDM				S
	Seals: Kalrez				T
	Aging				Z

(1) 0.5 mH2O on request

(2) mH2O, mWS, mWC etc. available

(3) Connector with required cable has to be ordered separately (KART100)

(4) Please specify the required cable length and medium

(5) Suitable for drinking water (food approved)

(6) For operating temperature > 50°C, PE or PTFE cable must be used

Technical drawings

Dimensions

Fig. 1: Closed version

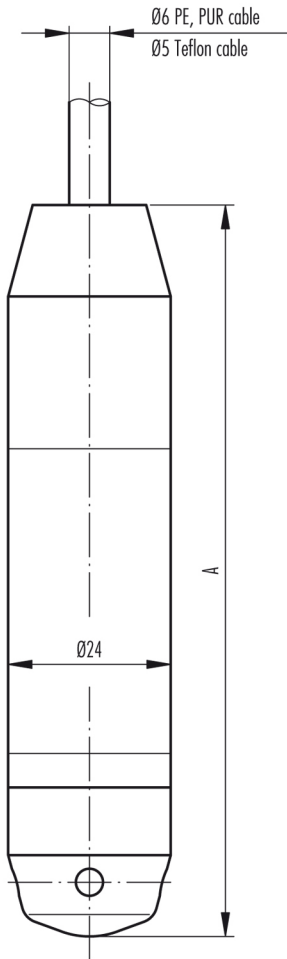


Fig. 2: Open version

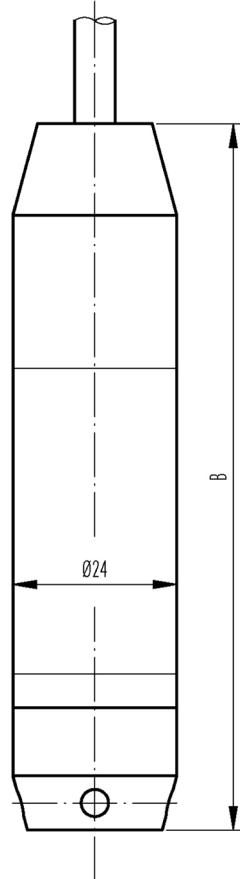


Fig. 3: with process connection

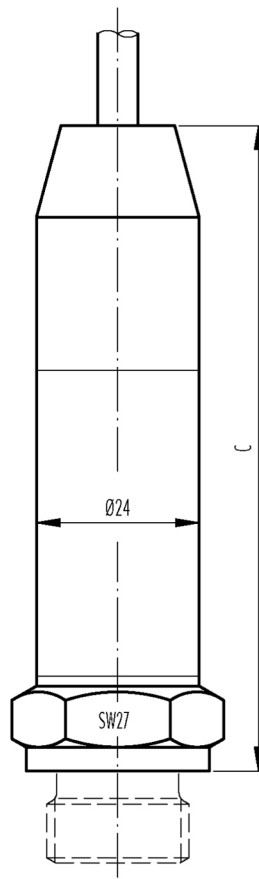
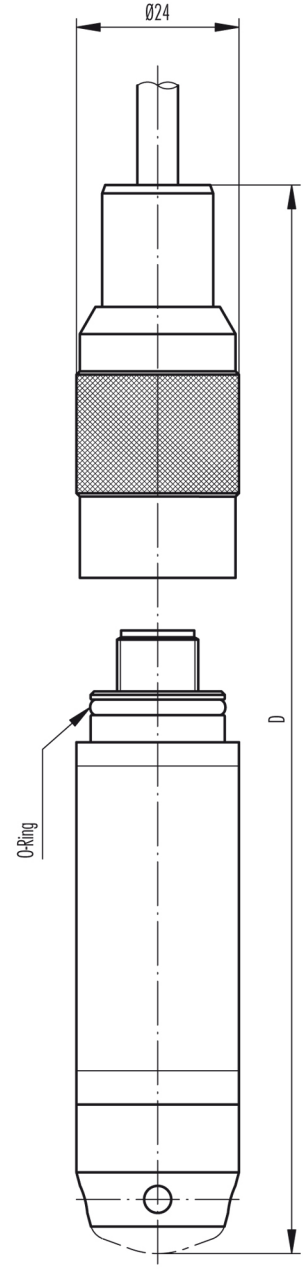


Fig. 4: Electrical connection, connectable



Standard

	A [mm]	B [mm]	C [mm]	D [mm]	Weight [g]
without ballast weight	137	133	on request*	on request*	approx. 180
with ballast weight	224	220	on request*	on request*	approx. 440

*C: depending on process connection

*D: depending on process connection or version

Colour 4-Wire

white +Vin
yellow GND
brown Pout
green Tout



Specifications may change without notice.

STS Great Britain:
STS Great Britain Ltd.
Box 3942 | Warwick | CV34 9AE, United Kingdom
contact@stssensors.com | www.stssensors.co.uk

STS Headquarters, Switzerland:
STS Sensor Technik Sirmach AG
Rüthofstrasse 8, 8370 Sirmach, Switzerland
sales@stssensors.com | www.stssensors.com

STS France:
STS France
844 Route de la Caille, 74350 Allonzier la Caille, France
info-fr@stssensors.com | www.stssensors.fr

STS Germany:
STS Sensoren Transmitter Systeme GmbH
Poststrasse 7, 71063 Sindelfingen, Germany
info-de@stssensors.com | www.stssensors.de

STS Italy:
STS Italia s.r.l.
Via Gesù 5, 20090 Opera (Milano), Italy
info-italia@stssensors.com | www.stssensors.it