

Load Cells

CB17 series



Feature

Low capacity. Compact size.

Table of P/N

Parts No.	Rated Capacity
CB17-600G-11	5.884 N { 600 gf }
CB17-1K-11	9.807 N { 1 kgf }
CB17-2K-11	19.61 N { 2 kgf }
CB17-3K-11	29.42 N { 3 kgf }

Specifications

Rated Capacity	5.884 N { 600 gf } to 29.42 N { 3 kgf }
Safe overload	300 %R.C.
Ultimate overload	400 %R.C.
Rated output	1 mV/V \pm 0.1 mV/V
Non-linearity	0.02 %R.O.
Hysteresis	0.02 %R.O.
Repeatability	0.02 %R.O.
Creep	0.02 %R.O./20 min
Creep recovery	0.02 %R.O./20 min
Excitation, recommended	10 V or less
Excitation, maximum	15 V
Zero balance	\pm 0.05 mV/V
Input resistance	420 ohm
Output resistance	350 ohm \pm 5 ohm
Insulation resistance	2 000 M-ohm or more (DC50 V) (between bridge and main body)
Temp. range compensated	-10 °C to 50 °C
Temp. range safe	-10 °C to 50 °C
Temp. effect on zero balance	0.04 %R.O./10 °C
Temp. effect on output	0.012 %LOAD/10 °C
Cable	ϕ 3.2, 4-cores shielded 40 cm cable directly attached. and cable end is separated.
Class of protection	IP40
Material of the element	Aluminium alloy
Durability	1 000 000 times with rated load applied.
	<ul style="list-style-type: none"> - Size of loading plate is 200 mm x 200 mm at maximum. - The center of loading plate and the center of load cell should be the same position - Error is within 0.02 %R.O. applied with 1/2 of rated capacity at the position of 50 mm of eccentricity.

Tel: 01908 543038 Fax: 08700 940810

86 High Street, Potterspur, Northants, NN12 7PQ

Email: sales@strainsense.co.uk Web: www.strainsense.co.uk

Registered in England, No 4459986

Registered office: 1 Oakwood Parade, London, N14 4HY



Reg no GB11422

SPECIFICATIONS

Load Cell for Scale

Load Cell
CB17-600G~3K-11

SPEC.No.EN214021-B

1/2

● Performance

Rated capacity	: 5.884 N{600 gf}~29.42 N{3 kgf}
Safe overload	: 300 %R.C.
Ultimate overload	: 400 %R.C.
Rated output	: 1 mV/V \pm 0.1 mV/V
Non-linearity	: 0.02 %R.O.
Hysteresis	: 0.02 %R.O.
Repeatability	: 0.02 %R.O.
Creep	: 0.02 %R.O./20 min
Creep recovery	: 0.02 %R.O./20 min

● Electrical

Excitation, recommended	: 10 V or less
Excitation, at maximum	: 15 V
Zero balance	: \pm 0.05 mV/V
Input resistance	: 420 Ω \pm 5 Ω
Output resistance	: 350 Ω \pm 5 Ω
Insulation resistance (between bridge and main body)	: 2 000 M Ω or more (DC50 V)

● Temperature

Temperature range, compensated	: -10 °C to 50 °C
Temperature range, safe	: -10 °C to 50 °C
Temperature effect on zero balance	: 0.04 %R.O./10 °C
Temperature effect on output	: 0.012 %LOAD/10 °C

● Cable

: ϕ 3.2, 4-cores shielded cable 40 cm directly attached,
Cable end is separated.

● Class of protection

: Equivalent to IP40

● Material of element

: Aluminium alloy

● Durability

: 10⁶ times with rated load applied.

● Effect of eccentric load

:

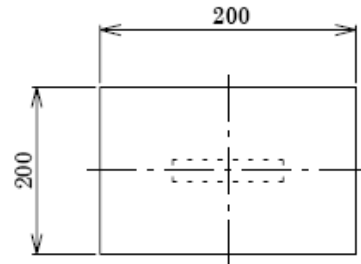
- Refer to the above figure as for the maximum size of loading plate.
- The center of loading plate and also the center of load cell should be the same position.
- Error is within 0.02 %R.O. applied with 1/2 of rated capacity at the position of 50 mm of eccentricity.

Note) R.O. means Rated Output and also R.C. means Rated Capacity.

Polarity of output will become plus(+) when the direction of compression load is applied.

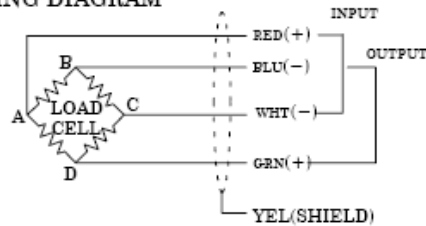
If polarity change is required, change wiring of blue and green.

Maximum size of loading plate



(Unit : mm)

WIRING DIAGRAM



Composition

Main body	1
Inspection Data Sheet	1

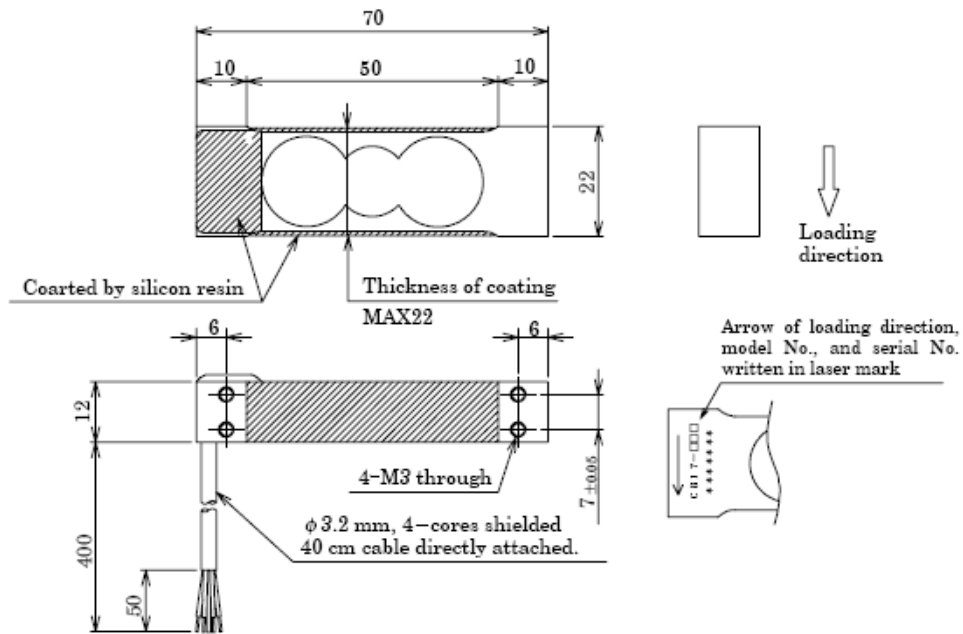
MINEBEA CO., LTD. MEASURING COMPONENTS DIV.

Revised in Aug. 2004

Strainsense
Limited

SPECIFICATIONS

Load Cell
 CB17-600G~3K-11
 SPEC.No.EN214021-B 2/2



(Unit : mm)

Outline dimensions

P/No.	Rated capacity	Rated displacement	Natural frequency (Hz)	Weight (Approx.g)
CB17-600G-11	5.884 N(600 gf)	0.17	200	40
CB17-1K-11	9.807 N(1 kgf)	0.17	290	40
CB17-2K-11	19.61 N(2 kgf)	0.17	410	40
CB17-3K-11	29.42 N(3 kgf)	0.17	500	40

Specifications and outline dimensions and so on which have printed may subject to change for the purpose of Improvement without notice.

MINEBEA CO., LTD. MEASURING COMPONENTS DIV.

Revised in Aug. 2004

