

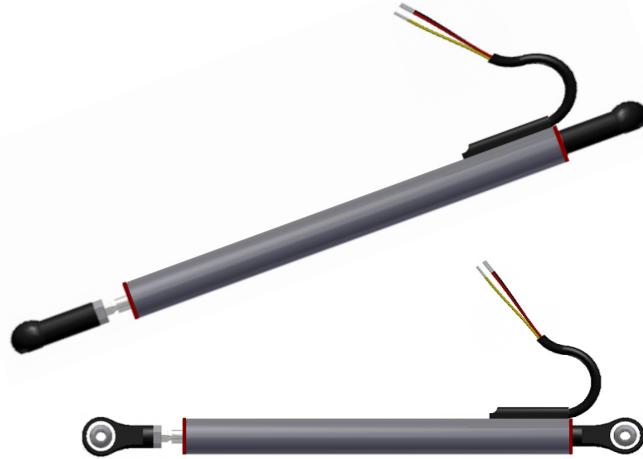
MS-94 series - LIGHTWEIGHT Linear Potentiometers

Manufactured in UK

Strainsense

MultiSense
Solutions Ltd

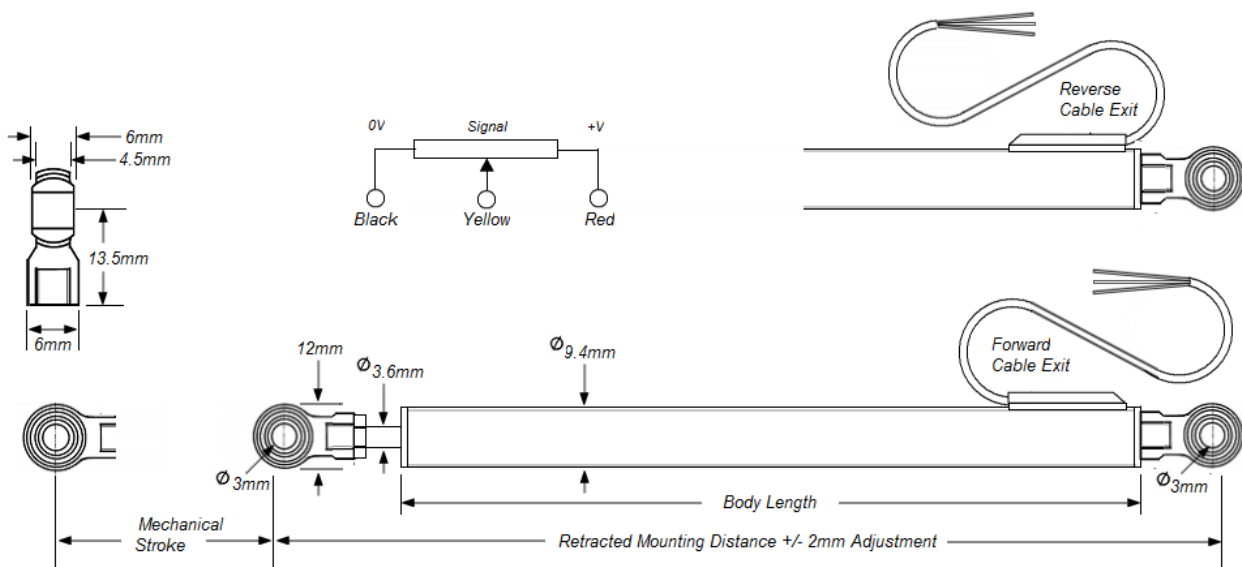
- **Rugged Construction**
- **Excellent Linearity**
- **Sealed To IP67**
- **Long Life**
- **Compact Design**
- **Custom stroke***



The MS-94 series of Linear Potentiometers are designed to withstand the harsh environment of Industrial and Motorsport applications. Using proven 'conductive plastic' technology, the sensors offer high performance and reliability.

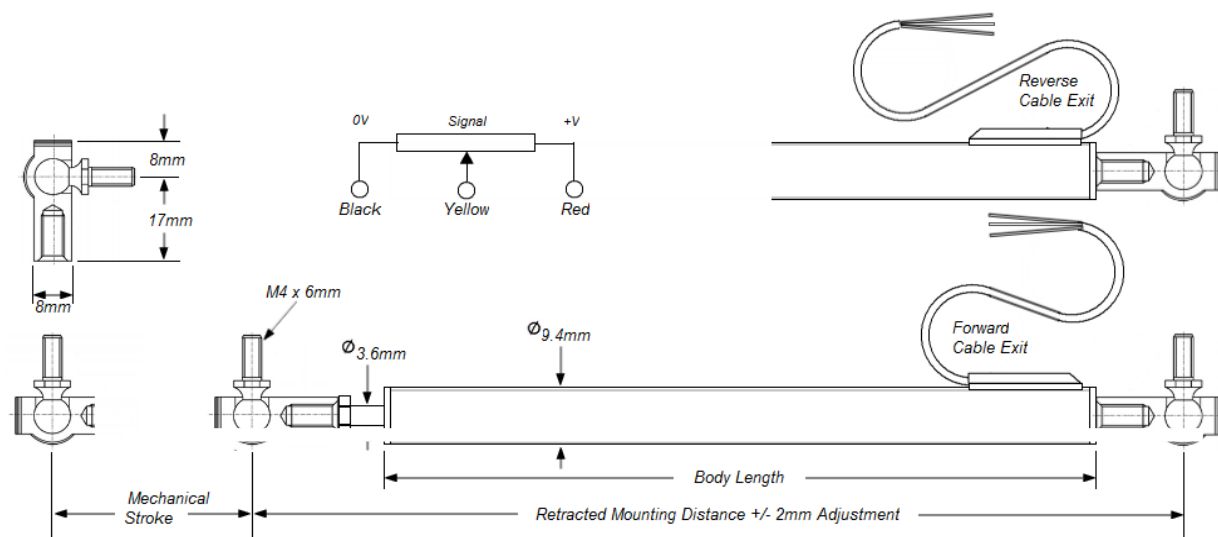
MS-94M-

Active Electrical Stroke (mm)	12.5	25	50	75	100	125	150	175
Retracted Mounting Distance (mm)*	86	98	123	148	179	204	229	254
Mechanical Stroke (mm)*	14.5	27	52	77	102	127	152	177
Body Length	51	64	89	114	145	170	195	220
Weight Without Cable (g)	15	17	21	25	29	33	37	41
Resistance (KOHms +/-20%)	0.8	1.7	3.4	5	6.7	8.4	10	11.7



MS-94P-

Active Electrical Stroke (mm)	12.5	25	50	75	100	125	150	175
Retracted Mounting Distance (mm)*	98	110	135	160	191	216	241	266
Mechanical Stroke (mm)*	14.5	27	52	77	102	127	152	177
Body Length	51	64	89	114	145	170	195	220
Weight Without Cable (g)	19	21	25	29	33	37	41	45
Resistance (KOHms +/-20%)	0.8	1.7	3.4	5	6.7	8.4	10	11.7



Specifications:

Maximum Supply Voltage	40 VDC
Resolution	Essentially Infinite
Repeatability	≤0.01mm
Operational Speed	10 M/s max
Mechanical Life	> 25 Million Cycles
Recommended Wiper Current	< 10µA
Independent Linearity*	≤ +/- 0.5% (Option to +/- 0.1%)
Cable Type*	Raychem 55A, 26 AWG, TPV Jacket
Cable Length*	500mm
Track Technology	Conductive Plastic
Housing Material	Aluminium
Shaft Material	Stainless Steel
Operating Temperature	-40 to +150°C
Sealing	IP66 (Dual O Ring) or IP67 (PTFE U Spring + O Ring)

Ordering Information:

MS-94M / MS-94P – Range (mm) – Seal (IP66/67) – Cable Exit Direction (R/F)

e.g : **MS-94P – 150 – 67 – R**

Pop Joints – 150mm range – IP67 Seal – Reverse Cable Exit

* Custom Options Available On Request

Since the suitability of these products depends upon a wide range of factors not in our control, the manufacturer expects and understands that you will conduct the testing and evaluation necessary to determine that these products are suitable for your application. Whilst every effort is made to ensure the above details are correct at the time of printing, the manufacturer reserves the right to make material changes, and / or technical changes without notification.