



- Twin bearing actuating rod
- Square body ( rod diameter 6mm )
- 0-10 VDC Analog output and other models
- Mountable over backlash free pivots heads with a large angle of free movement
- Maximum angular movement up to  $\pm 30^\circ$
- Potentiometric measuring stroke up to 500 mm
- Absolute measurement of displacement
- Resolution 0,01mm
- Very long life up to 100 million movements
- High operating speed 5 m/s
- Excellent linearity %0,2

LTC-V is built easy mounting by double pivot heads. The only difference from the LTP series is the square frame body. It's a high precision 0-10 VDC analog output industrial linear motion transducer with a long lasting conductive track suitable for absolute position measuring in control and Measurement applications. Designed for the direct, absolute measurement of displacement or angle in control regulation and measuring applications.

Mechanical fixing and self-aligning linkage using 2 ball joints. Maximum angular movement angle is up to  $\pm 30^\circ$

High resolution (0.01 mm) combined with a stroke length of up to 750 mm permits the accurate measurement of linear displacement.

### Technical Specifications

|                                  |   |
|----------------------------------|---|
| <b>Defined Electrical Ranges</b> | 50 - 75 - 100 - 125 - 150 - 200 - 175 - 200 - 225 - 250<br>-275 - 300 - 360 - 400 - 450 - 500 |
| <b>Output Signals</b>            | 0-10 VDC Analog Output ( other models optional )  |
| <b>Independent Linearity</b>     | $\pm 0,05$  |
| <b>Electrical Connection</b>     | 4 pin female socket   |
| <b>Power Supply</b>              | 24 VDC  |
| <b>Resistance</b>                | 5K or 10Kohm and other ( $\pm 20\%$ tolerance )   |
| <b>Protection Class</b>          | IP65  |
| <b>Temperature Range</b>         | -30°C +100°C  |
| <b>Life</b>                      | 100 million movements   |
| <b>Mechanical Fixing</b>         | With 2 ball-joints or adjustable distance clamps  |
| <b>Rod Material</b>              | Stainless steel   |
| <b>Housing Material</b>          | Anodized aluminium  |

### LTC-V Series 0-10 VDC Analog Output Linear Transducers are mainly used in :

- Press Brake Machines
- Marble Machines
- Tension Control
- Horizontal Band Saw Machines
- Transfer Machines
- Hydraulic Machines
- Sheet Metal Working Machines
- Bending Presses
- Textile Machines

### Order Code

#### Model No

L T C - 5 0 0 - V

#### Defined Stroke Range

Several standard lengths from 50 mm to 500 mm

#### Output

V : 0-10 VDC Analog Voltage Output

\*\*Optional 0-5 VDC Voltage Output

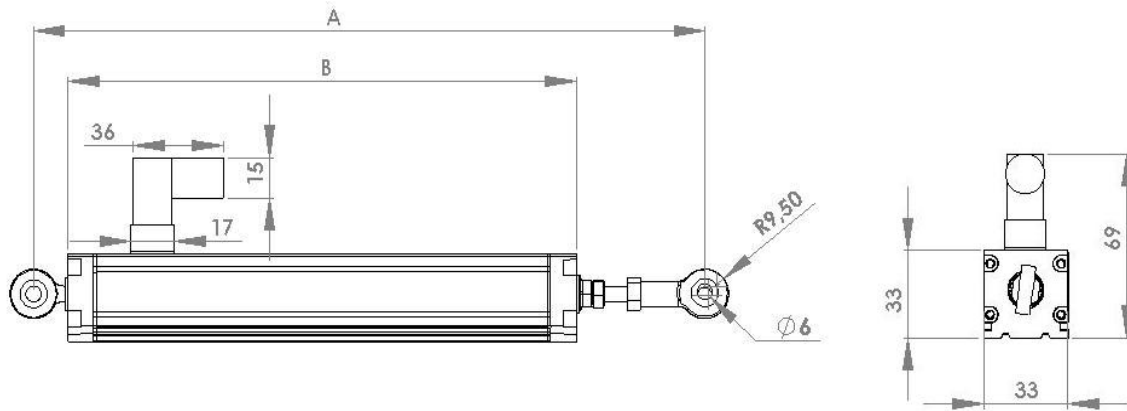
#### Included in Delivery

1 Connector / 4 pin female socket

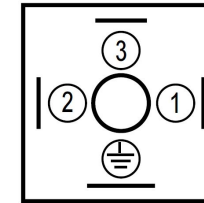
\*\*Optional fixing clamps



## Dimension



## Connections



### 0-10VDC ANALOG OUTPUT

1. +24 VDC Supply
2. Analog Output  
0-10 VDC Voltage Output
3. GROUND
4. SHIELD

| TYPE                                  | LTC 50 | LTC 75 | LTC 100 | LTC 125 | LTC 150 | LTC 175 | LTC 200 | LTC 225 | LTC 250 | LTC 275 | LTC 300 | LTC 360 | LTC 400 | LTC 450 | LTC 500 |
|---------------------------------------|--------|--------|---------|---------|---------|---------|---------|---------|---------|---------|---------|---------|---------|---------|---------|
| STROKE                                | 50     | 75     | 100     | 125     | 150     | 175     | 200     | 225     | 250     | 275     | 300     | 360     | 400     | 450     | 500     |
| MECHANICAL STROKE (mm)                | 54     | 79     | 104     | 129     | 154     | 179     | 204     | 229     | 254     | 279     | 304     | 364     | 404     | 454     | 504     |
| ELECTRICAL STROKE (mm)                | 50     | 75     | 100     | 125     | 150     | 175     | 200     | 225     | 250     | 275     | 300     | 360     | 400     | 450     | 500     |
| <b>MECHANICAL DIMENSIONS</b>          |        |        |         |         |         |         |         |         |         |         |         |         |         |         |         |
| BETWEEN PIVOT HEADS<br>(A) (mm) ±2 mm | 220    | 245    | 270     | 295     | 320     | 345     | 370     | 395     | 420     | 445     | 470     | 530     | 570     | 620     | 670     |
| BODY LENGTH<br>(B) (mm) ±2 mm         | 150    | 175    | 200     | 225     | 250     | 275     | 300     | 325     | 350     | 375     | 400     | 460     | 500     | 550     | 600     |

StrainSense Ltd The Old Barn Woods Lane  
 Potterspury Northants NN12 7PT  
 T: +44 (0)1908 543038 F: +44 (0)8700 940810  
 E: sales@strainsense.co.uk

[www.strainsense.co.uk](http://www.strainsense.co.uk)

Innovative sensor and instrumentation solutions for the R&D, test and high-tech industries