



- Twin bearing actuating rod
- Square body (rod diameter 6mm)
- Mountable over backlash free pivots heads with a large angle of free movement
- Maximum angular movement up to $\pm 30^\circ$
- Potentiometric measuring stroke up to 500 mm
- Absolute measurement of displacement
- Resolution 0,01mm
- Very long life up to 100 million movements
- High operating speed 5 m/s
- Excellent linearity %0,2

LTC is built easy mounting by double pivot heads. The only difference from the LTP series is the square frame body. It's a high precision potentiometric industrial linear motion transducer with a long lasting conductive track suitable for absolute position measuring in control and Measurement applications. Designed for the direct, absolute measurement of displacement or angle in control regulation and measuring applications.

Mechanical fixing and self-aligning linkage using 2 ball joints. Maximum angular movement angle is up to $\pm 30^\circ$

High resolution (0.01 mm) combined with a stroke length of up to 750 mm permits the accurate measurement of linear displacement.

Technical Specifications

Defined Electrical Ranges	50 - 75 - 100 - 125 - 150 - 200 - 175 - 200 - 225 - 250 - 275 - 300 - 360 - 400 - 450 - 500
Resistance Element	Conductive Plastic
Output Signals	Potentiometric (Voltage Divider)
Independent Linearity	$\pm 0,2$
Electrical Connection	4 pin female socket
Power Supply	Max. 42 VDC
Resistance	5K or 10Kohm and other (± 20 tolerance)
Protection Class	IP65
Temperature Range	-30°C +100°C
Life	100 million movements
Mechanical Fixing	With 2 ball-joints or adjustable distance clamps
Rod Material	Stainless steel
Housing Material	Anodized aluminium

LTC Series Potentiometric Linear Transducers are mainly used in :

- Press Brake Machines
- Marble Machines
- Tension Control
- Horizontal Band Saw Machines
- Transfer Machines
- Hydraulic Machines
- Sheet Metal Working Machines
- Bending Presses
- Textile Machines

Order Code

Model No

L T C - 5 0 0

Defined Stroke Range

Several standard lengths from 50 mm to 500 mm

Output

NC : Potentiometric

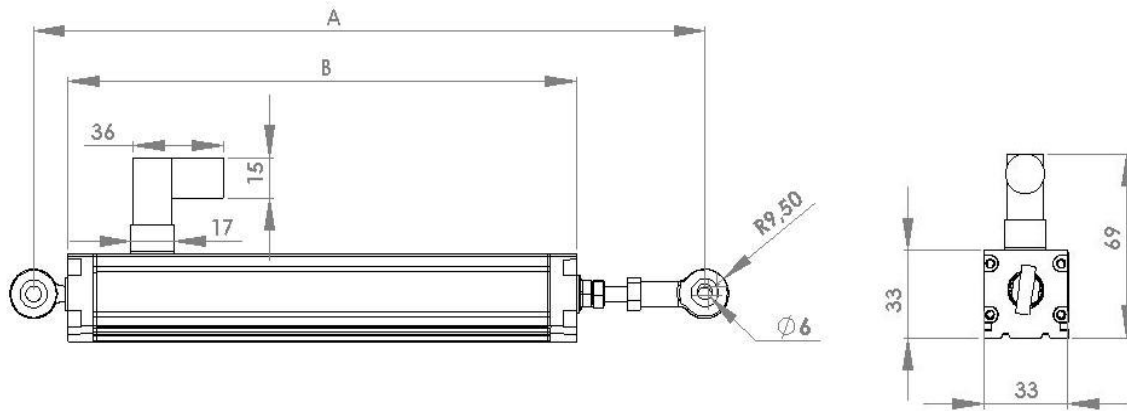
Included in Delivery

1 Connector / 4 pin female socket

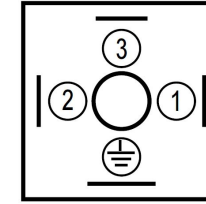
**Optional fixing clamps



Dimension

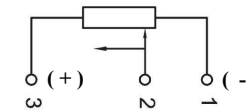


Connections



POTENTIOMETRIC OUTPUT

1. Resistance / + Supply
2. COMMON
3. Resistance / - Supply
4. SHEILD



Potentiometric connection
(Voltage Divider)

TYPE	LTC 50	LTC 75	LTC 100	LTC 125	LTC 150	LTC 175	LTC 200	LTC 225	LTC 250	LTC 275	LTC 300	LTC 360	LTC 400	LTC 450	LTC 500
STROKE	50	75	100	125	150	175	200	225	250	275	300	360	400	450	500
RESISTANCE (Kohm)	5K	5K	5K	5K	5K	5K	5K	5K	5K	5K	5K	5K	5K	5K	5K
MECHANICAL STROKE (mm)	54	79	104	129	154	179	204	229	254	279	304	364	404	454	504
ELECTRICAL STROKE (mm)	50	75	100	125	150	175	200	225	250	275	300	360	400	450	500
MECHANICAL DIMENSIONS															
BETWEEN PIVOT HEADS (A) (mm) ±2 mm	220	245	270	295	320	345	370	395	420	445	470	530	570	620	670
BODY LENGTH (B) (mm) ±2 mm	150	175	200	225	250	275	300	325	350	375	400	460	500	550	600

StrainSense Ltd The Old Barn Woods Lane
Potterspury Northants NN12 7PT
T: +44 (0)1908 543038 F: +44 (0)8700 940810
E: sales@strainsense.co.uk

www.strainsense.co.uk

Innovative sensor and instrumentation solutions for the R&D, test and high-tech industries