

Model 834M1 Accelerometer



Triaxial Piezoelectric Accelerometer
 $22\mu\text{A}$ Current Consumption
 Wide Bandwidth to 6kHz
 Circuit Board Mountable



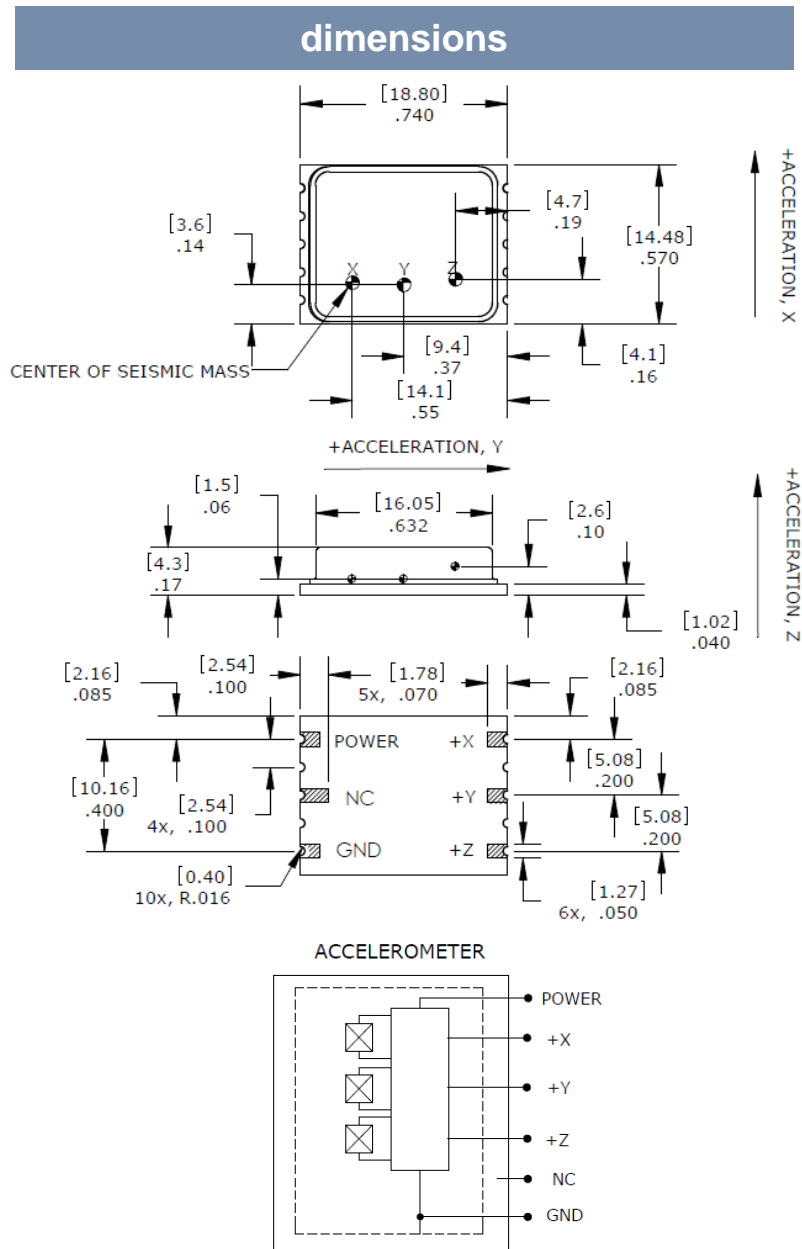
The Model 834M1 is a low cost, board mountable triaxial accelerometer designed for high amplitude embedded shock applications. The accelerometer features a maximum current consumption of 22 micro-amps and incorporates full power and signal conditioning. The model 834M1 is available in $\pm 2000\text{g}$ to $\pm 6000\text{g}$ ranges and provides a flat frequency response up to greater than 6kHz. The standard model 834 offers the same envelope with a lower maximum current consumption of 4 micro-amps.

FEATURES

- $\pm 2000\text{g}$ to $\pm 6000\text{g}$ Dynamic Range
- Low Cost Triaxial
- Hermetically Sealed
- Piezo-ceramic Crystals
- -40° to $+125^\circ\text{C}$ Operating Range
- Single Axis Configurations Available

APPLICATIONS

- Asset Monitoring
- Impact Testing
- System Wake-Up Switch
- Embedded Applications
- Instrumentation



Model 834M1 Accelerometer

performance specifications

All values are typical at +24°C, 80Hz and 3.3Vdc excitation unless otherwise stated. Measurement Specialties reserves the right to update and change these specifications without notice. Standard product parameters are described in PSC-1001 for Embedded AC Accelerometers.

Parameters			Notes
DYNAMIC			
Range (g)	±2000	±6000	
Sensitivity (mV/g)	0.62	0.20	±30%
Frequency Response (Hz)	2-6000	2-6000	±2dB
Natural Frequency (Hz)	>30000	>30000	
Non-Linearity (%FSO)	±2	±2	
Transverse Sensitivity (%)	<8	<8	
Shock Limit (g)	10000	10000	
ELECTRICAL			
Bias Voltage (Vdc)	Exc Voltage / 2	Exc Voltage / 2	
Total Supply Current (µA) ¹	<22	<22	
Excitation Voltage (Vdc)	3.3 to 5.5	3.3 to 5.5	
Output Impedance (Ω)	<100	<100	
Insulation Resistance (MΩ)	>100	>100	@ 100Vdc
Broadband Noise (µV)	40	30	0.1Hz-10kHz
Spectral Noise (mg/√Hz)	3.2	4.0	@ 10Hz
Spectral Noise (mg/√Hz)	0.6	1.0	@ 100Hz
Spectral Noise (mg/√Hz)	0.2	0.5	@ 1000Hz
Shielding	100%		
Ground Isolation	Isolated from Mounting Surface		
ENVIRONMENTAL			
Temperature Response (%)	-20/+30 from -40°C to +125°C		
Operating Temperature (°C)	-40 to +125		
Storage Temperature (°C)	-40 to +125		
Humidity	Hermetically Solder Sealed		
PHYSICAL			
Sensing Element	Ceramic (shear mode)		
Case Material	Ceramic Base, Nickel Silver Cover		
Weight (grams)	2.6		

¹ A lower current consumption of 4 micro-amps is available on model 834.

² The model 834M1 is not to be reflow soldered at high temperature, manual soldering is recommended. See application note.

³ The model 834M1 can be operated with 2.8V excitation but the full-scale range will be limited.

Calibration supplied: CS-SENS-0100 NIST Traceable Amplitude Calibration at 100Hz

The information in this sheet has been carefully reviewed and is believed to be accurate; however, no responsibility is assumed for inaccuracies. Furthermore, this information does not convey to the purchaser of such devices any license under the patent rights to the manufacturer. Measurement Specialties, Inc. reserves the right to make changes without further notice to any product herein. Measurement Specialties, Inc. makes no warranty, representation or guarantee regarding the suitability of its product for any particular purpose, nor does Measurement Specialties, Inc. assume any liability arising out of the application or use of any product or circuit and specifically disclaims any and all liability, including without limitation consequential or incidental damages. Typical parameters can and do vary in different applications. All operating parameters must be validated for each customer application by customer's technical experts. Measurement Specialties, Inc. does not convey any license under its patent rights nor the rights of others.

ordering info

PART NUMBERING Model Number+Range

834M1-GGGG

|
|____ Range (2000 is 2000g)

Example: 834M1-2000
Model 834M1, 2000g