

# FN7325 Multiaxial Load Cell



- 6-Components Load Cell
- Range from 5 to 250 kN (1 to 50 klb)
- Measures force in three directions X, Y, Z
- Measures torque in three directions Mx, My, Mz
- Minimal Cross Effects
- High Level Output Model with Integrated Amplifier

## DESCRIPTION

The multiaxial FN7325 measures force from 0-5 kN to 0-250 kN along three axes as well as the corresponding torque from 0-200 Nm to 0-7000 Nm. The FN7325 is simple to use and install and in many diverse applications circumvents the necessity of employing multiple single-axes units. For high-level output a model with integrated amplifier is available.

With many years of experience as a designer and manufacturer of sensors, Measurement Specialties, Inc. often works with customers to design or customize sensors for specific uses and testing environments.

To meet your needs we also offer complete turnkey systems. The matched components (sensor, power, amplifier and digital display) are formatted, calibrated and ready for immediate use.

## FEATURES

- Measures force and torque simultaneously
- Up to 6 components load cell
- Multiple and custom designs available
- Optional integrated amplifier
- Minimal Cross Effects

## APPLICATIONS

- Mechanical linkage
- Structure testing
- Crash testing
- Automotive testing
- Industrial test benches

## STANDARD RANGES

Model	FN7325-M6	FN7325-M8	FN7325-M10	FN7325-M12	FN7325-M16
Force X/Y in N [in lbf]	5k [1k]	15k [3k]	30k [6k]	60k [12k]	100k [20k]
Force Z in N [in lbf]	15k [3k]	30k [6k]	50k [10k]	100k [20k]	250k [50k]
Torque X/Y/Z in N/m [in lbf/ft]	200 [145]	600 [440]	1.2k [885]	2.8k [2 065]	7k [5 160]

# FN7325 Multiaxial Load Cell

## PERFORMANCE SPECIFICATIONS

Ambient Temperature: 20±1°C (unless otherwise specified)

PARAMETERS	
Operating Temperature Range (OTR)	-20 to 80° C [-4 to 176° F]
Compensated Temperature Range (CTR)	0 to 60° C (32 to 140° F)
Zero Shift in CTR	<1% F.S. / 50° C [100° F]
Sensitivity Shift in CTR	< 2% of reading / 50° C [100° F]
Ranges (F.S.)	See table
Over-Range	
Without Damage	1.2 x F.S.
Accuracy	
Combined non-linearity and hysteresis	±1% F.S. typical
Cross effects	3% F.S. typical (5% max.)

### Electrical Characteristics

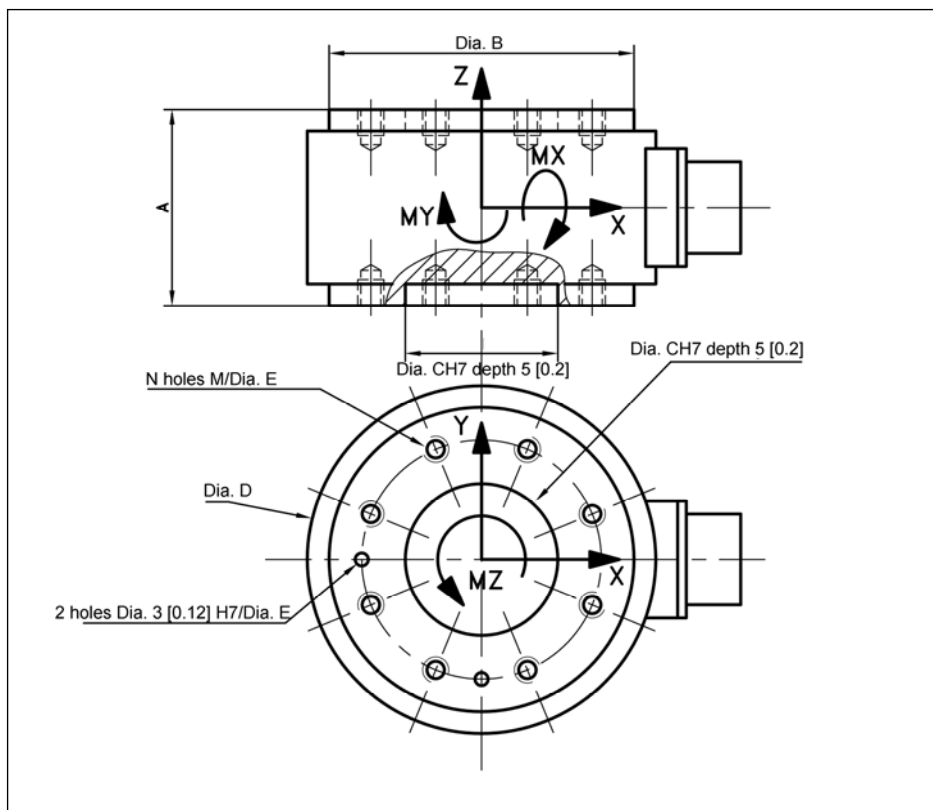
Model	FN7325	FN7325-A1	FN7325-A2
Supply Outage	10 Vdc	10 - 30 Vdc	±15 Vdc (±12 to ±18Vdc)
F.S. Output	±10 -15 mV/V typical	±2V ±5% F.S.	±5 V ±5% F.S.
Zero Offset	±5% F.S.	2.5 V ±5% F.S.	0 V ±5% F.S.
Insulation under 50Vdc	≥100MΩ		

### Notes

1. Electrical Termination: Connector output including mate
2. Wiring schematic depends on the sensor and number of channels
3. Materials: Body in stainless steel cover in aluminium alloy
4. Protection index: IP50

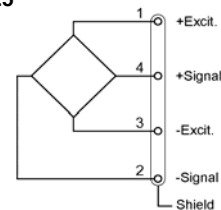
# FN7325 Multiaxial Load Cell

## DIMENSIONS & WIRING SCHEMATIC (IN METRIC AND IMPERIAL)

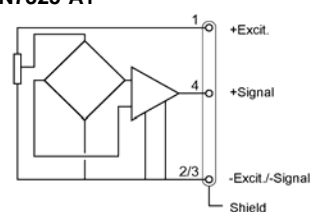


### Wiring Schematic (per channel)

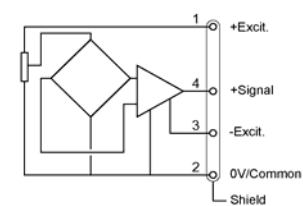
#### FN7325



#### FN7325-A1



#### FN7325-A2



### Dimensions in mm [inch]

Model	FN7325-M6	FN7325-M8	FN7325-M10	FN7325-M12	FN7325-M16
Force X/Y in N [in lbf]	5k [1k]	15k [3k]	30k [6k]	60k [12k]	100k [20k]
Force Z in N [in lbf]	15k [3k]	30k [6k]	50k [10k]	100k [20k]	250k [50k]
Torque X/Y/Z in N/m [in lbf/ft]	200 [145]	600 [440]	1.2k [885]	2.8k [2 065]	7k [5 160]
A	50 [1.97]	55 [2.17]	65 [2.56]	75 [2.95]	90 [3.54]
B	70 [2.76]	88 [3.46]	114 [4.49]	148 [5.83]	190 [7.48]
C	35 [1.38]	40 [1.57]	50 [1.97]	65 [2.56]	90 [3.54]
D	80 [3.15]	98 [3.86]	124 [4.88]	158 [6.22]	200 [7.87]
N	8 x M6/Ø55 [2.17]	8 x M8/ Ø70 [2.76]	8 x M10/Ø95 [3.74]	12 x M12/Ø125 [4.92]	12 x M16/Ø150 [5.91]

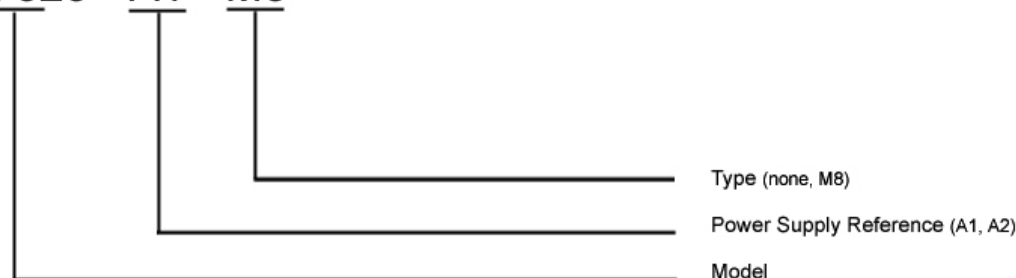
# FN7325 Multiaxial Load Cell

## OPTIONS

A1 : Unipolar tension
A2 : Bipolar tension

## ORDERING INFO

FN7325 - A1 - M8



### NORTH AMERICA

Measurement Specialties Inc.  
1000 Lucas Way  
Hampton, VA 23666  
USA  
Tel: 1-757-766-1500  
Fax: 1-757-766-4297  
pvg.cs.amer@meas-spec.com

### EUROPE

Measurement Specialties  
(Europe), Ltd.  
26 Rue des Dames  
78340 Les Clayes-Sous-Bois,  
France  
Tel: +33 (0) 130 79 33 00  
Fax: +33 (0) 134 81 03 59  
pfg.cs.emea@meas-spec.com

### ASIA

Measurement Specialties  
(China), Ltd.  
No. 26 Langshan Road  
Shenzhen High-Tech Park (North)  
Nanshan District, Shenzhen  
518107  
China  
Tel: +86 755 3330 5088  
Fax: +86 755 3330 5099  
pfg.cs.asia@meas-spec.com

The information in this sheet has been carefully reviewed and is believed to be accurate; however, no responsibility is assumed for inaccuracies. Furthermore, this information does not convey to the purchaser of such devices any license under the patent rights to the manufacturer. Measurement Specialties, Inc. reserves the right to make changes without further notice to any product herein. Measurement Specialties, Inc. makes no warranty, representation or guarantee regarding the suitability of its product for any particular purpose, nor does Measurement Specialties, Inc. assume any liability arising out of the application or use of any product or circuit and specifically disclaims any and all liability, including without limitation consequential or incidental damages. Typical parameters can and do vary in different applications. All operating parameters must be validated for each customer application by customer's technical experts. Measurement Specialties, Inc. does not convey any license under its patent rights nor the rights of others.