

CD1095 Dynamic Rotary Torque Sensor



- Keyed Shaft couplings
- Range from ± 5 to $\pm 2,500$ Nm (± 4 to 2,000 lbf.ft)
- Stainless Steel
- Cable Gland or Connector Output
- Built In Amplifier per Request

DESCRIPTION

The CD1095 has been designed to measure in-line torque on rotating shafts. Its sensing element is based on thin layer strain gauges in a Wheatstone bridge configuration providing excellent temperature stability. Optionally the torque sensor can receive an on-board amplifier for high-level output. Intermediate ranges are available at no extra cost. Consult Measurement-Specialties' Engineering Department if the standard options do not meet your needs or should your application require a more comprehensive measurement system.

With many years of experience as a designer and manufacturer of sensors, Measurement Specialties often works with customers to design or customize sensors for specific uses and testing environments.

To meet your needs we also offer complete turnkey systems. The matched components (sensor, power, amplifier and digital display) are formatted, calibrated and ready for immediate use.

FEATURES

- For Dynamic Applications
- Keyed Shaft Mechanical Connection
- High Level Output Model with Integrated Amplifier

APPLICATIONS

- Dynamic applications
- Process control equipment
- Test and Measurement
- Robotics and effectors
- Laboratory and Research

STANDARD RANGES

F.S range in Nm	5 - 10 - 20	50 - 75 - 100	150 - 200 - 300	500 - 750	1k - 1.75k - 2,5k
F.S range in lbf.ft	4 - 8 - 16	40 - 60 - 80	120 - 160 - 240	400 - 600	800 - 1.4k - 2k
Stiffness in Nm/rad	1.4×10^2 to 9×10^2	9×10^2 to 7.5×10^3	7.5×10^3 to 3×10^4	3×10^4 to 1×10^5	1×10^5 to 3.5×10^5
Stiffness in lbf.ft/rad	0.4×10^2 to 0.6×10^2	0.6×10^2 to 5.1×10^2	5.1×10^2 to 2.1×10^3	2.1×10^3 to 6.9×10^3	6.9×10^3 to 2.4×10^4
Rotation in rpm	3000	3000	2200	1750	1250

CD1095 Dynamic Rotary Torque Sensor

PERFORMANCE SPECIFICATIONS

Ambient Temperature: 20±1° C (unless otherwise specified)

Parameters	
Operating Temperature Range (OTR)	-20 to 80° C (-4 to 176° F)
Compensated Temperature Range (CTR)	0 to 60° C (32 to 140° F)
Zero Shift in CTR	<0.5% F.S./ 50° C [100° F]
Sensitivity Shift in CTR	<1% of reading / 50° C [100° F]
Range (F.S.)	±5 Nm to ±2,5 kNm [±4 lbf.ft to ±2 klbf.ft]
Velocity of Rotation	Up to 3000 RPM ; Bidirectional operation
Over-Range	
Save Overload	1.5 x F.S.
Ultimate Load	3 x F.S.
Accuracy	
Combined Non-Linearity & Hysteresis	<±0.25%F.S

Electrical Characteristics

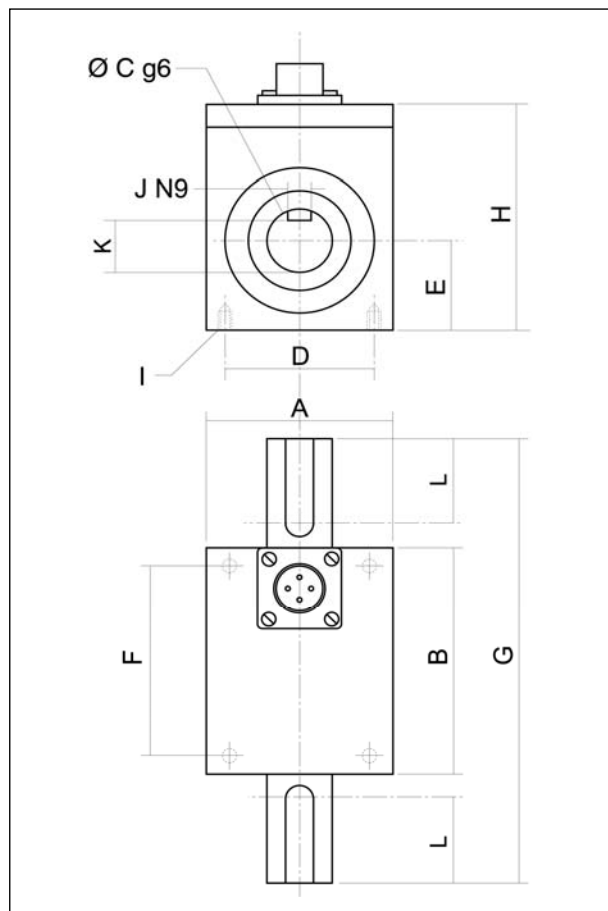
Model	CD1095	CD1095-A1	CD1095-A2
Supply Outage	10Vdc	10 – 30Vdc	±15Vdc (±12 to ±18Vdc)
F.S. Output	±2mV/V	±2V ±5% F.S	±5V ±5% F.S
Zero Offset	<±5% F.S.	2.5V ±5% F.S.	0V ±5% F.S.
Input Impedance/Consumption	350 to 700Ω	<50mA	<50mA
Output Impedance	350 to 700Ω	<10Ω	<10Ω
Insulation under 50Vdc	≥100MΩ	≥100MΩ	≥100MΩ

Notes

1. Electrical Termination: Connector output including mate
2. Material: Body in stainless steel ; aluminum alloy housing
3. Connection : Keyed shaft standard, other connection types on request (smooth shaft, cotter pin, etc)

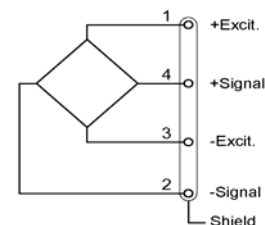
CD1095 Dynamic Rotary Torque Sensor

DIMENSIONS & WIRING SCHEMATIC (IN METRIC AND IMPERIAL)

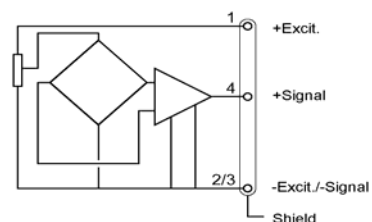


Wiring Schematic

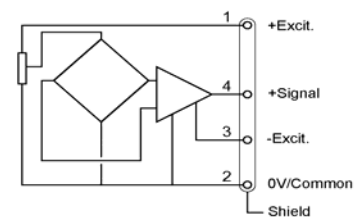
CD1095



CD1095-A1



CD1095-A2



Dimensions in mm [inch]

Range in Nm [lbf.ft]	5 - 10 - 20 [4 - 8 - 16]		50 - 75 - 100 [40 - 60 - 80]		150 - 200 - 300 [120 - 160 - 240]		500 - 750 [400 - 600]		1k - 1,75k - 2,5k [800 - 1,4k - 2k]	
A	40	[1.57]	40	[1.57]	50	[1.97]	60	[2.36]	80	[3.15]
B	50	[1.97]	50	[1.97]	55	[2.17]	60	[2.36]	75	[2.95]
C	14	[0.55]	19	[0.75]	28	[1.10]	39	[1.54]	54	[2.13]
D	32	[1.26]	32	[1.26]	40	[1.57]	50	[1.97]	70	[2.76]
E	20	[0.79]	20	[0.79]	25	[0.98]	30	[1.18]	40	[1.57]
F	42	[1.65]	42	[1.65]	45	[1.77]	50	[1.97]	65	[2.56]
G	90	[3.54]	110	[4.33]	150	[5.91]	180	[7.09]	260	[10.24]
H	50	[1.97]	50	[1.97]	60	[2.36]	70	[2.76]	90	[3.54]
I	4 x M3		4 x M3		4 x M3		4 x M4		4 x M4	
J	5	[0.20]	6	[0.24]	8	[0.31]	12	[0.47]	16	[0.63]
K	11	[0.43]	15.5	[0.61]	24	[0.94]	34	[1.34]	48	[1.89]
L	15	[0.59]	25	[0.98]	40	[1.57]	50	[1.97]	80	[3.15]

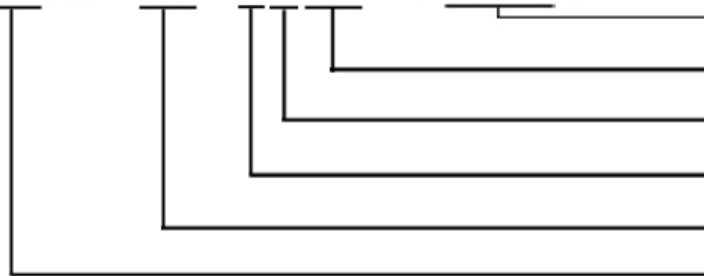
CD1095 Dynamic Rotary Torque Sensor

OPTIONS

A1 : Unipolar Tension
A2 : Bipolar Tension
PE : Cable Gland Termination with 2 m [6.6 ft] cable

ORDERING INFO

CD1095 - A1 - 2KNm - /ET1/PE



Other Options (ET1, PE, etc.)

Unit (Nm=(Newton)(meter))

Multiplier (K for ranges >1000)

Range

Power Supply Reference (None, A1, or A2)

Model

NORTH AMERICA

Measurement Specialties Inc.
1000 Lucas Way
Hampton, VA 23666
USA
Tel: 1-757-766-1500
Fax: 1-757-766-4297
Sales: pvg.cs.amer@meas-spec.com

EUROPE

Measurement Specialties
(Europe), Ltd.
26 Rue des Dames
78340 Les Clayes-Sous-Bois,
France
Tel: +33 (0) 130 79 33 00
Fax: +33 (0) 134 81 03 59
Sales: pfg.cs.emea@meas-spec.com

ASIA

Measurement Specialties
(China), Ltd.
No. 26 Langshan Road
Shenzhen High-Tech Park (North)
Nanshan District, Shenzhen
518107
China
Tel: +86 755 3330 5088
Fax: +86 755 3330 5099
Sales: pfg.cs.asia@meas-spec.com

The information in this sheet has been carefully reviewed and is believed to be accurate; however, no responsibility is assumed for inaccuracies. Furthermore, this information does not convey to the purchaser of such devices any license under the patent rights to the manufacturer. Measurement Specialties, Inc. reserves the right to make changes without further notice to any product herein. Measurement Specialties, Inc. makes no warranty, representation or guarantee regarding the suitability of its product for any particular purpose, nor does Measurement Specialties, Inc. assume any liability arising out of the application or use of any product or circuit and specifically disclaims any and all liability, including without limitation consequential or incidental damages. Typical parameters can and do vary in different applications. All operating parameters must be validated for each customer application by customer's technical experts. Measurement Specialties, Inc. does not convey any license under its patent rights nor the rights of others.