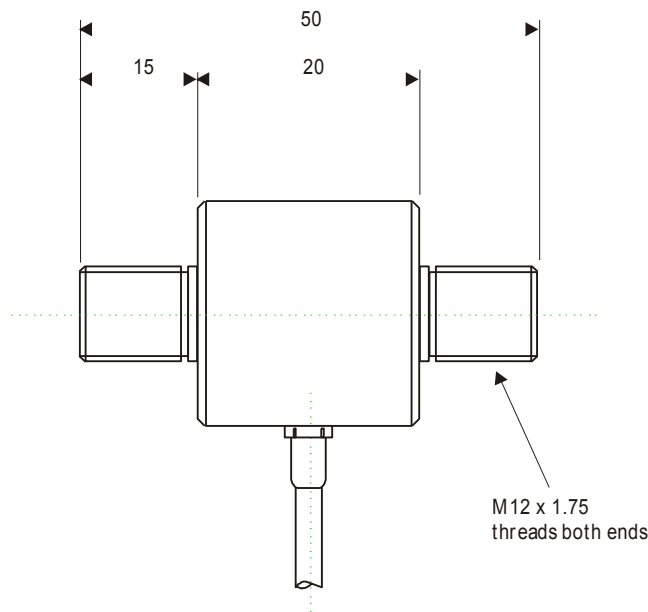


Options :
 Non-standard sizes and ranges available on request
 Shunt calibration facility
 Spherical seating rod end bearings
 Different cable lengths and special mounting fixtures

- Tension and Compression
- Sealed to IP65
- Low profile and Compact
- Integral male threads for in-line mounting
- High Natural Frequency
- Low Deflection

Capacities	0.1,0.2,0.5,1,2,5,10,20	kN
Full Load Output	2.0 (±0.25%)	mV/V
Zero Load Output	<±2.0	%
Excitation (Max)	10 (15)	V
Accuracy	<0.25	%
Repeatability	<0.01	%
Input Resistance	375 (±20)	Ω
Output Resistance	350 (±2)	Ω
Compensated Temp. Range	-10 to +40	°C
Operating Temp. Range	-20 to +60	°C
Temp. Coefficient on Zero	<0.0015	% Capacity/°C
Temp Coefficient on Span	<0.002	% Capacity/°C
Safe Overload	140	%
Insulation	>500 @100Vdc	MΩ
Environmental Protection	IP65	
Cable Length	4	m

Specifications subject to change without notice



All dimensions in mm

