

Options :  
 Other ranges available on request  
 Full range of mounting options  
 Stainless Steel versions  
 Integral connector version  
 Double bridge version

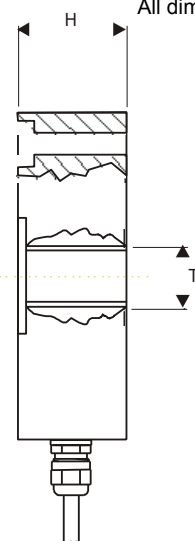
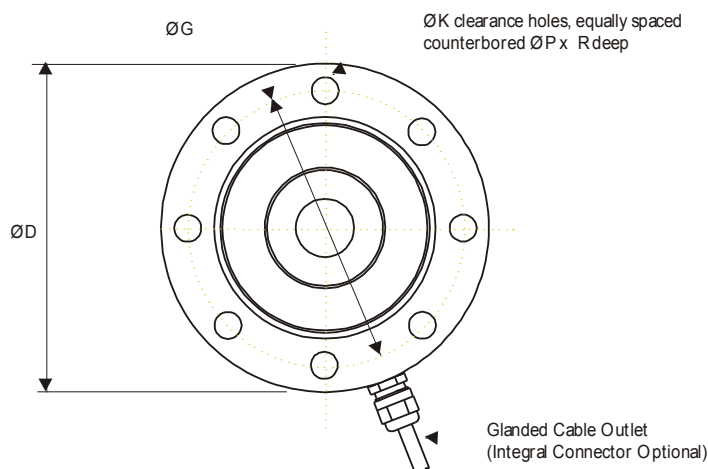
- Range 500N to 200kN
- Low profile design
- Low deflection
- High natural frequency
- Excellent rejection of extraneous forces

CCapacities	0.5,1, 2, 5, 10, 20, 50, 100, 200	kN
Full Load Output	2.0 (±0.25%)	mV/V
Zero Load Output	<±2.0	%
Excitation (Max)	10 (15)	V
Accuracy	<0.1	%
Repeatability	<0.03	%
Input Resistance	400(±20)	Ω
Output Resistance	350	Ω
Compensated Temp. Range	-10 to +40	°C
Operating Temp. Range	-20 to +60	°C
Temp. Coefficient on Zero	<0.0050	% Capacity/°C
Temp Coefficient on Span	<0.0050	% Capacity/°C
Safe Overload	150	%
Insulation	>500 @100Vdc	MΩ
Environmental Protection	IP65	
Cable Length	4	m

Specifications subject to change without notice

Type	D	H	G	K	T	P	R
500 N	76	25	60	6 off Ø6.2	M6 x 1.0	11	7
1, 2, 5 kN	76	25	60	6 off Ø6.2	M6 x 1.0	11	7
10, 20 kN	89	25	70	6 off Ø8.3	M12 x 1.75	14	8
50 kN	140	46	114	8 off Ø10.3	M20 x 1.5	17	11
100, 200 kN	152	46	124	8 off Ø14.5	M36 x 3.0	N/A	N/A

All dimensions in mm



Issue 2 - 2013