

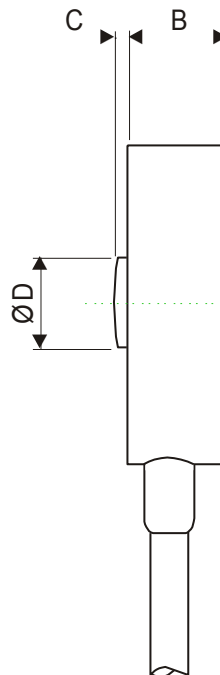
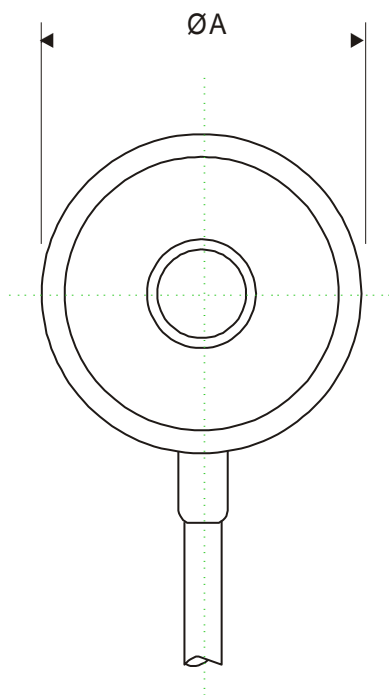
Capacity (kN)	A	B	C	D
0.5,1,2	15	7	0.5	4
5,10,20	30	11	0.5	4

All dimensions in mm

- Capacities 500N to 20kN
- Sealed to IP65
- Low Profile
- Very Compact
- Integral Load Button
- Robust Construction

Capacities	0.5, 1, 2, 5, 10, 20	kN
Full Load Output	2.0 (±0.25%)	mV/V
Zero Load Output	<±2.0	%
Excitation (Max)	10 (15)	V
Accuracy	<0.25	%
Repeatability	<0.01	%
Input Resistance	375 (±20)	Ω
Output Resistance	350 (±2)	Ω
Compensated Temp. Range	-10 to +40	°C
Operating Temp. Range	-20 to +70	°C
Temp. Coefficient on Zero	<0.0015	% Capacity/°C
Temp Coefficient on Span	<0.002	% Capacity/°C
Safe Overload	150	%
Insulation	>500 @100Vdc	MΩ
Environmental Protection	IP65	
Cable Length	4	m

Specifications subject to change without notice



Options :

- Non-Standard sizes available
- Other ranges available on request
- Special mounting adaptors available
- Shunt calibration facility
- Different temperature compensation available