

5000 Series Low Pressure Transducer

- ▶ Submersible and General Purpose Models
- ▶ Stainless Steel Case Construction
- ▶ High Proof Pressures

The 5000 Series features a sturdy ceramic diaphragm that detects minute pressure variations, while withstanding large pressure spikes. The tough ceramic sensor is housed in a duplex stainless steel case to ensure performance in the most demanding applications, such as sea water.

Specifications

Input	
Pressure Range	0 to 415" wc (0 to 15psi)
Proof Pressure	30psi (≤ 80"wc) 60psi (≤ 150"wc); 100psi (>150"wc)
Burst Pressure	45psi (≤ 28"wc) 60psi (>28"wc to 80"wc) 90psi (≤ 150"wc); 145psi (>150"wc)
Fatigue Life	10 million FS cycles
Performance	
Long Term Stability	0.25% span/annum
Accuracy	0.2% span max
Thermal Error	2% span max
Compensated Temperatures	-4°F to +140°F (-20°C to +60°C)
Operating Temperatures	
Process media	-40°F to +212°F (-40°C to +100°C)
Electrical code G & L	-15°F to +185°F (-25°C to +85°C)
Electrical code M & 3	-5°F to +120°F (-20°C to +50°C)
Zero Tolerance	1% span
Span Tolerance	1% span
Mounting Effects	0.25% span max
Response Time	5ms
Supply Voltage Sensitivity	0.01% span/volt
Mechanical Configuration	
Inconel Pressure Ports	(See Ordering Guide)
Wetted Parts	318 Duplex SS, Ceramic, Viton (Nitrile Optional)
Electrical Connection	(See Ordering Guide)
Enclosure	Code M IP68 Submersible Code G IP65
Vibration	35g peak 5-2000 Hz, MIL STD 810, Method 514.2, Procedure I
Acceleration	100g, MIL STD 810C, Method 513.2, Procedure II
Approvals	CE, Lloyds Register, optional intrinsically safe EXII 1G; E Exia II BT4 (-20°C < T amb < 75°C)
Weight	330gms (excluding cable) (12oz)

Individual Specifications

Voltage Output units	
Output	(See Ordering Guide) (3-wire)
Supply Voltage (Vs)	9 to 35 VDC (8-35 VDC, 1-6 VDC Output)
Current Output Unit	
Output	4-20 mA (2 wire)
Supply Voltage (Vs)	9 to 35 VDC (ExII 1G 9-28 Vdc)
Max. Loop Resistance	(Vs-9)* 50 ohms

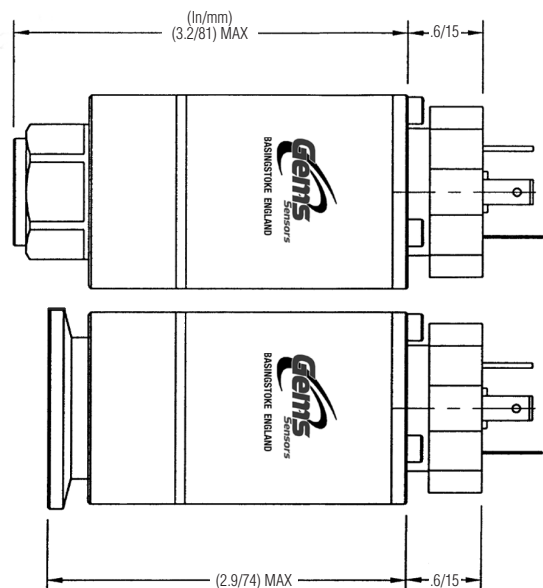
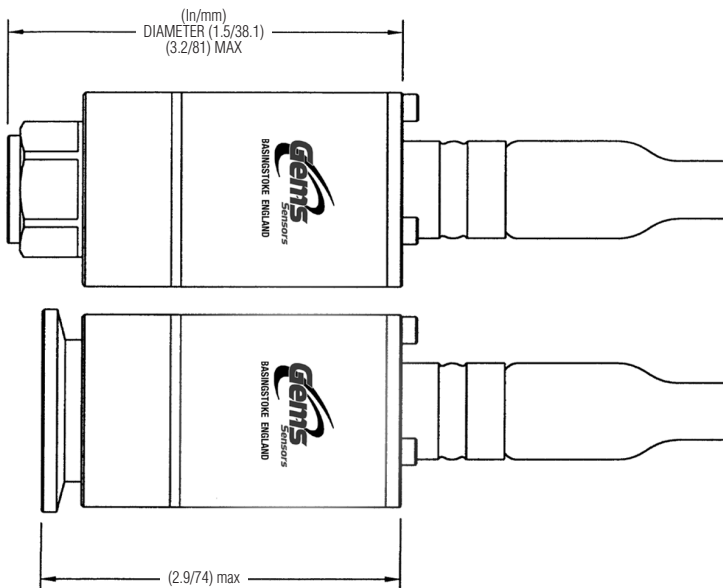


How to Order

Use the **bold** characters from the chart below to construct a product code.

SELECT

<p>1. 5000 series</p> <p>2. Output: B 4–20 mA C 1–6 VDC F 0.1–5.1 VDC H 1–5 VDC J 0.5–5.5 VDC R 0–5 VDC</p> <p>3. Pressure Datum: G gauge</p> <p>4. Pressure range code* M70 10 to 28" wc, 25 to 70 mbar, 0.36 - 1 psi N20 29 to 80" wc, 71 to 200 mbar, 1 - 3 psi N35 81 to 150" wc, 201 to 350 mbar, 3 - 5 psi A10 151 to 415" wc, 351 to 1000 mbar, 5 - 15 psi</p> <p>* specify range required at time of order eg. 5000BGM700FM3001a@15"wc</p>	<p>5000 B G N20 OF M 3 001 A @XXX</p>	<p>10. Specify Calibration (i.e @70" wc)</p> <p>9. Static/Thermal Error Band A 0.25%/2%</p> <p>8. Cable Length 000 = No Cable 001 = 1 meter 999 = 999 meters</p> <p>7. Approvals 3 CE Marked B Zenier G Galvanic Intrinsically Safe</p> <p>6. Electrical Connection G Fixed Plug to DIN 43650, Mating Connector Supplied L M12 x 1 (5 pin) M Immersible Cable Assembly, IP68 3 1/2-14 NPT Conduit</p> <p>5. Pressure Connection OK G1/4 Internal AK G 1/4 external MK M14x1.5 external BK 1/4 - 18 NPT external KK 7/16 - 20unf - 3A external OF Open Face, KF25 Flange</p> <p>Submersible Nose Cones { 19 Plastic Nose Cone 29 Stainless Steel Nose Cone</p>
---	--	--



FLANGE FACE DIAMETER (1.57/40)

PRESSURE TRANSDUCERS