

Model 805M1 Accelerometer

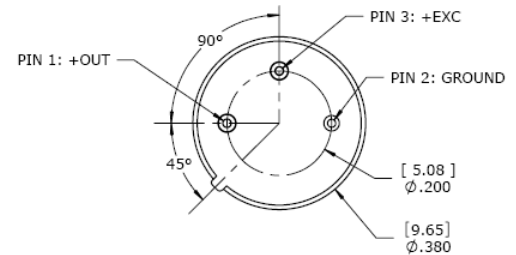
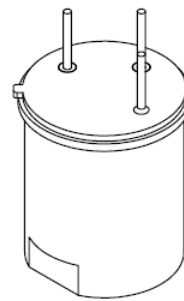


TO-5 Series Accelerometer
3-Wire Voltage Output
Low-Cost, Embedded Applications
<0.10mA Power Consumption

The **Model 805M1** is a miniature adhesive mount voltage output accelerometer built on a 3-pin TO-5 header. It is available in $\pm 20g$ and $\pm 200g$ dynamic ranges and offers a flat frequency response to 12kHz. The accelerometer features a hermetic construction in a TO-5 header configuration. The model 805M1 incorporates a stable piezo-ceramic crystal with low power electronics in a 100% shielded housing suitable for many embedded OEM applications. The accelerometer is offered in two configurations; one for adhesive mounting and one for stud mounting.



dimensions

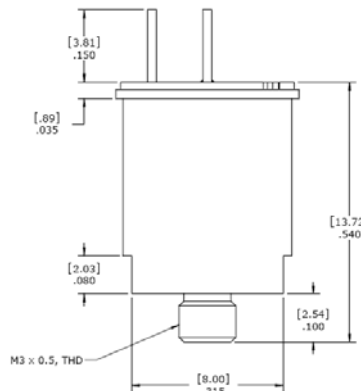
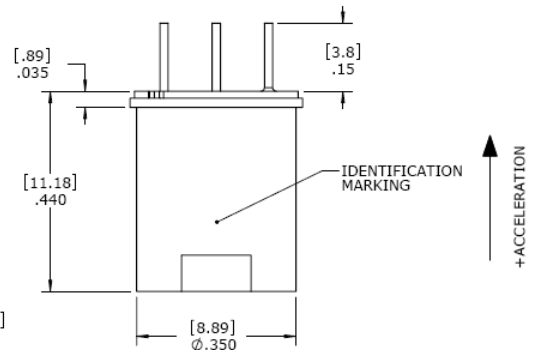
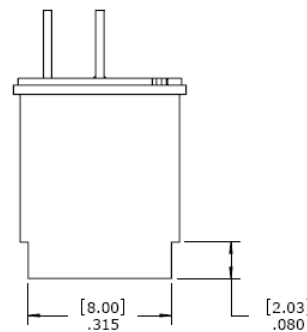


FEATURES

- $\pm 20g$ and $\pm 200g$ Range
- Wide bandwidth up to 12kHz
- TO-5 Configuration
- Hermetically Sealed
- -54°C to $+100^{\circ}\text{C}$ Operating Range
- Case Grounded Design
- 3.0-5.5 Excitation Voltage

APPLICATIONS

- Machine Monitoring
- Low-Cost OEM Installation
- Permanent Structural Study
- Embedded Sensing Solution
- Data Loggers



M3 Stud Mounting for -01 Option

