

Model 140 Inline Amplifier



Low Noise Inline Amplifier
User Selectable Gain Settings
Small Rugged Package
Includes Auto-Zero Function

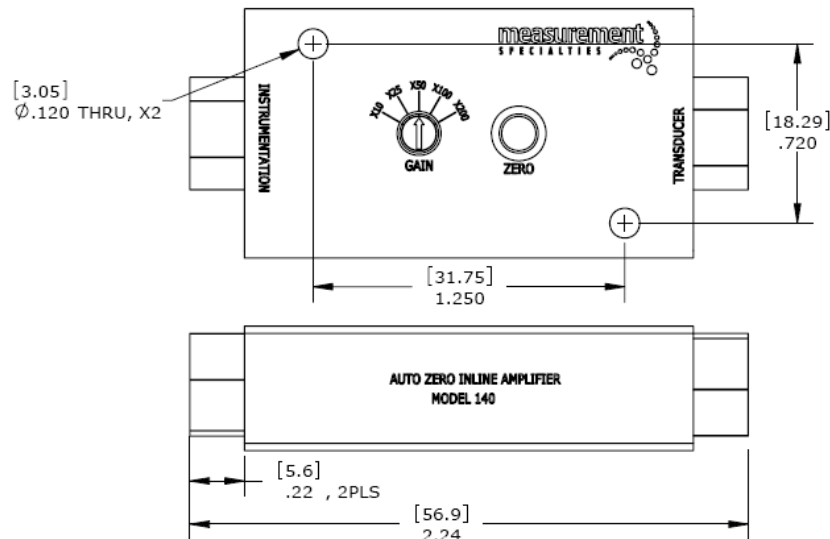


The **Model 140** is a remote in-line DC amplifier designed to be used with bridge-type mV output transducers. The amplifier features five user selectable gain settings with a gain accuracy of $\pm 0.5\%$ and offers a wide bandwidth to 100kHz. The model 140 offers a unique auto-zero function (patent pending) that allows the operator to zero the transducer offset voltage to within $\pm 1.5\text{mV}$ either remotely or by pressing the on-board push button at the user's command, usually right before the taking of data. This feature removes any offset drift from the sensor for a more accurate measurement.

dimensions

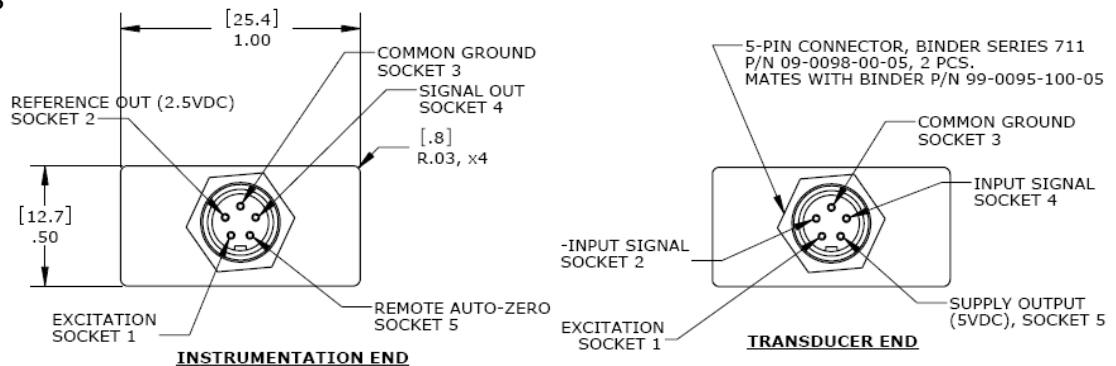
FEATURES

- Interface with mV Output Sensors
- $\pm 1.5\text{mV}$ Auto-Zero Function
- x10, x25, x50, x100 & x200 Gain Settings
- Wide Bandwidth to 100kHz
- 5 to 30Vdc Excitation Voltage



APPLICATIONS

- Pressure & Level Indication
- Static Acceleration Testing
- Instrumentation Labs
- Load Monitoring
- Strain Measurement



Model 140 Inline Amplifier

performance specifications

All values are typical at $\pm 24^{\circ}\text{C}$ and 12Vdc excitation unless otherwise stated. Measurement Specialties reserves the right to update and change these specifications without notice.

Parameters

DYNAMIC

Input Type	Differential
Input Range (V)	0.5 to ($V_{exc} - 0.6$), each input referenced to ground
User Selectable Gain Settings	x10, x25, x50, x100, x200
Bandwidth (-3dB)	DC to 100kHz
Noise ($\text{nV}/\sqrt{\text{Hz}}$)	17 RTI + 2000 RTO
Zero Output After Auto-Zero Actuation ¹	$\pm 1.5\text{mV}$, referenced to 2.5V reference out
Input Range Limit for Auto-Zero Function	$\pm 10\text{Volts/gain}$

ELECTRICAL

Excitation Voltage (Vdc)	5 to 30
Reverse Polarity Protection	-20V, on excitation line
Quiescent Current (mA)	15
Reference Out (Vdc)	2.5 ± 0.05 , referenced to ground
Output Voltage Limit (Vpk)	± 2 , referenced to 2.5V reference out
Gain Accuracy (%)	0.5
Output Impedance (Ω)	<50
Insulation Resistance ($\text{M}\Omega$)	>100 @ 50Vdc

ENVIRONMENTAL

Operating Temperature ($^{\circ}\text{C}$)	-20 to +70
Storage Temperature ($^{\circ}\text{C}$)	-20 to +70
Environmental Protection	IP50
Vibration (g)	20 pk from 50Hz to 2000Hz
Shock (g)	2000 pk with 3.6ms Haversine pulse

PHYSICAL

Case Material	Anodized Aluminum
Electrical Connector, Input	Binder Connector P/N 09-0098-00-05 (mates with Binder Connector P/N 99-0095-100-05)
Electrical Connector, Output	Binder Connector P/N 09-0098-00-05 (mates with Binder Connector P/N 99-0095-100-05)
Weight (grams)	33

¹ Auto-zero can be actuated using pushbutton or grounding remote auto-zero pin for minimum 2 sec. Multiple actuations may be required to achieve the $\pm 1.5\text{mV}$ limit.

² Supply Out: 5.00 ± 0.10 Vdc, <150 mamps current source, >5.2 Vdc excitation required.

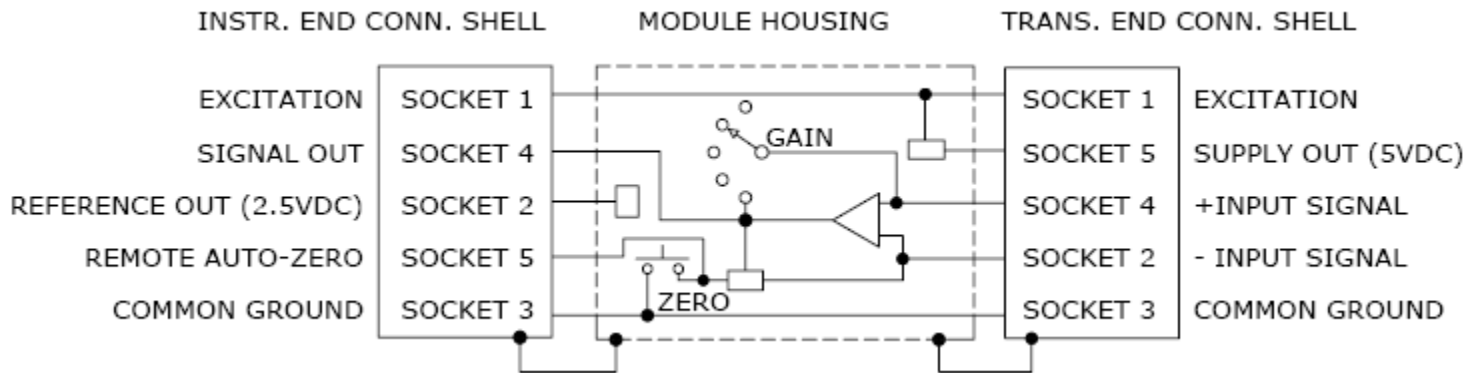
³ Excitation and common ground are direct connections from instrumentation end to transducer end.

Optional accessories: 379-XXX Cable Assembly, 5x #30 AWG, (XXX designates length in inches, 10ft standard)
 AC-G04239 Mating Connector Plug (Binder Connector P/N 99-0095-100-05)

The information in this sheet has been carefully reviewed and is believed to be accurate; however, no responsibility is assumed for inaccuracies. Furthermore, this information does not convey to the purchaser of such devices any license under the patent rights to the manufacturer. Measurement Specialties, Inc. reserves the right to make changes without further notice to any product herein. Measurement Specialties, Inc. makes no warranty, representation or guarantee regarding the suitability of its product for any particular purpose, nor does Measurement Specialties, Inc. assume any liability arising out of the application or use of any product or circuit and specifically disclaims any and all liability, including without limitation consequential or incidental damages. Typical parameters can and do vary in different applications. All operating parameters must be validated for each customer application by customer's technical experts. Measurement Specialties, Inc. does not convey any license under its patent rights nor the rights of others.

Model 140 Inline Amplifier

schematic



ordering info

PART NUMBERING Model Number

Model 140